

Design Specification Sheet

FR12 Fire Resistant Washer Box

IPS
CORPORATION

202 Industrial Park Lane
Collierville, TN 38017
(901) 853-5001

Ratings: ASTM-E814 - 1 Hour (F), 1 Hour (T)
CAN/ULC - S115 1 Hour (F/FH), 1 Hour (FT/FTH)
ASTM-E814 - 2 Hour (F), 1.25 Hour (T)
CAN/ULC- S115 2 Hour (F/FH), 1.25 Hour (FT/FTH)
Firestop Device, Design No. IPS/PV 120-01

Models 82353 to 82399



1. Wall Construction

- Wood Or Steel Stud
- 1 Hour firewall construction consisting of each stud face being finished with 5/8 gypsum
- 2 Hour firewall construction consisting of each stud face being finished with 2 layers of 5/8 gypsum

2. Box Mounting

- Box should be securely fastened to stud with screws or nails
- Box units cannot be installed back to back within the same wall cavity

3. Piping Options

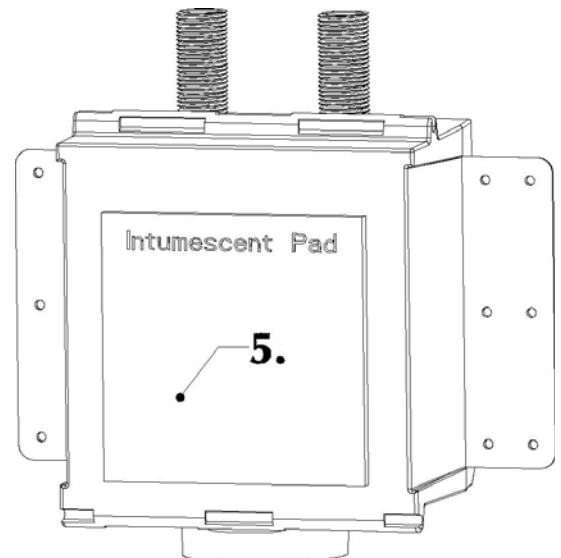
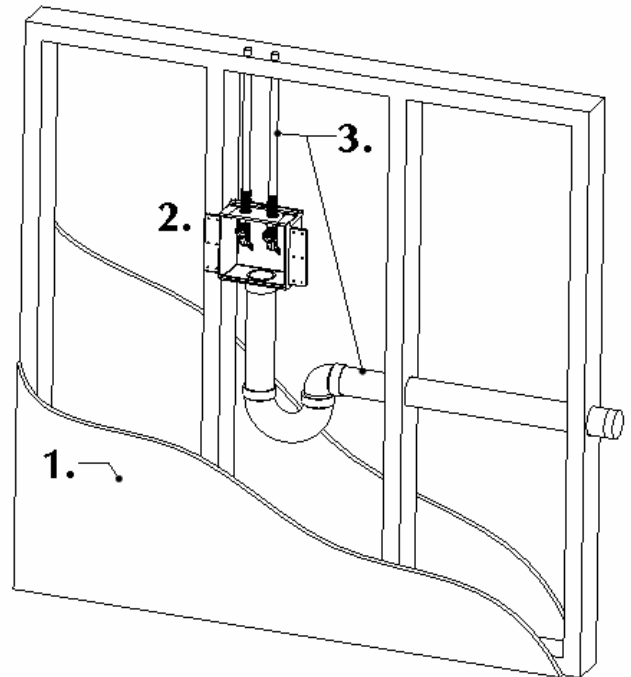
- Drains may be nominal 2" or larger PVC, ABS or metallic pipe
- Supply tubing may be either metallic or plastic
- All plumbing within the wall must be secured

4. Valve Options

- Single Lever with or without hammer arresters
- Quarter Turn Valves with or without hammer arresters

5. Intumescent Pad

- The IPS FR Series washer box is manufactured from special flame resistant resin with an intumescent pad factory installed on the back of the box (do not remove).
- Gaps between the box and the gypsum may be filled up to 1/2" with dry wall plaster.



Design Specification Sheet

FRM12 Metal Fire Resistant Washer Box Using Plastic Piping

IPS
CORPORATION®

202 Industrial Park Lane
Collierville, TN 38017
(901) 853-5001

Ratings: ASTM-E814 - 1 Hour (F), 1 Hour (T)
CAN/ULC - S115 1 Hour (F/FH), 1 Hour (FT/FTH)
ASTM-E814 - 2 Hour (F), 72 Min (T)
CAN/ULC- S115 2 Hour (F/FH), 90 Min (FT/FTH)
Firestop Device, Design No. IPS/PV 120-02

Models 82567 to 82599



1. Wall Construction

- Wood Or Steel Stud
- 1 Hour firewall construction consisting of each stud face being finished with 5/8 gypsum
- 2 Hour firewall construction consisting of each stud face being finished with 2 layers of 5/8 gypsum

2. Box Mounting

- Box should be securely fastened to stud with screws or nails
- Box units cannot be installed back to back within the same wall cavity.

3. Piping Options

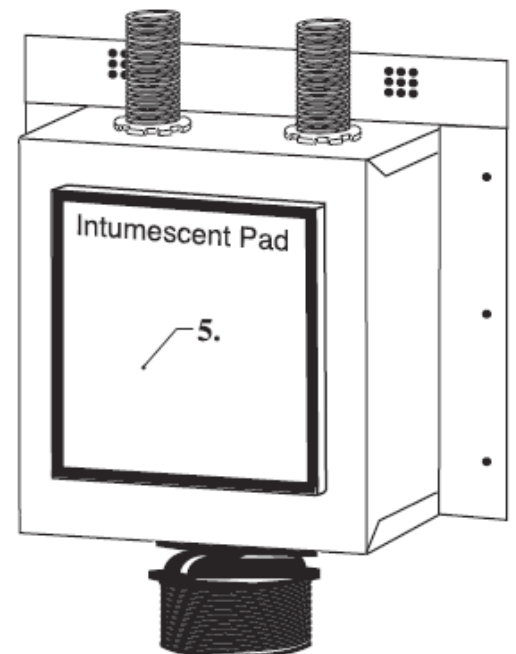
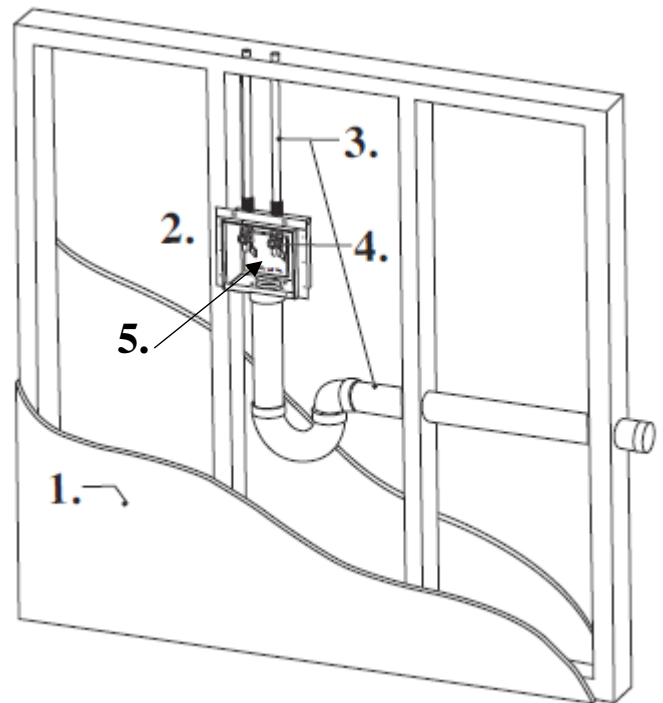
- Drains may be nominal 2" or larger PVC, ABS or metallic pipe
- Supply tubing may be either metallic or plastic
- All plumbing within the wall must be secured

4. Valve Options

- Single Lever with or without hammer arresters
- Quarter turn valves with or without hammer arresters

5. Intumescent Pad

- The IPS FR12M Series Plastic Washer Box is manufactured from special flame resistant resin. It has 2 factory installed intumescent pads (do not remove).
- Gaps between the box and the gypsum may be filled up to 1/2" with dry wall plaster.



Design Specification Sheet

FRM12 Metal Fire Resistant Washer Box Using Metal Piping

IPS[®]
CORPORATION

202 Industrial Park Lane
Collierville, TN 38017
(901) 853-5001

Ratings: ASTM-E814 - 1 Hour (F), 45 Min (T)
CAN/ULC - S115 1 Hour (F/FH), 1 Hour (FT/FTH)
ASTM-E814 - 2 Hour (F), 72 Min (T)
CAN/ULC- S115 2 Hour (F/FH), 2 Hour (FT/FTH)
Firestop Device, Design No. IPS/PV 120-02

Models 82567 to 82599



1. Wall Construction

- Wood Or Steel Stud
- 1 Hour firewall construction consisting of each stud face being finished with 5/8 gypsum
- 2 Hour firewall construction consisting of each stud face being finished with 2 layers of 5/8 gypsum

2. Box Mounting

- Box should be securely fastened to stud with screws or nails
- Box units cannot be installed back to back within the same wall cavity.

3. Piping Options

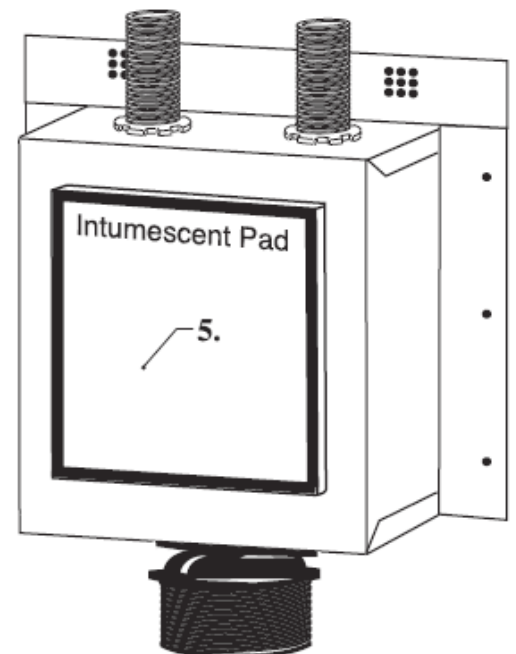
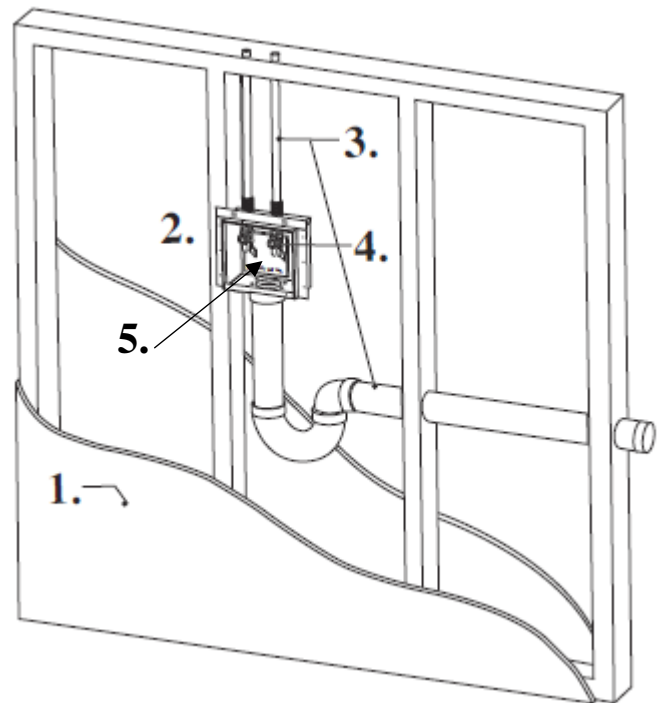
- Drains may be nominal 2" or larger PVC, ABS or metallic pipe
- Supply tubing may be either metallic or plastic
- All plumbing within the wall must be secured

4. Valve Options

- Single Lever with or without hammer arresters
- Quarter turn valves with or without hammer arresters

5. Intumescent Pad

- The IPS FR12M Series Metal Washer Box is manufactured from heavy duty steel with a white powder coated finish. It has 2 factory installed intumescent pads (do not remove).
- Gaps between the box and the gypsum may be filled up to 1/2" with dry wall plaster.



Design Specification Sheet

FR 12 Fire Resistant Ice Box

IPS
CORPORATION®

202 Industrial Park Lane
Collierville, TN 38017
(901) 853-5001

Ratings: ASTM-E814 - 1 Hour (F), 1 Hour (T)
CAN/ULC - S115 1 Hour (F/FH), 1 Hour (FT/FTH)
ASTM-E814 - 2 Hour (F), 1.25 Hour (T)
CAN/ULC- S115 2 Hour (F/FH), 1.25 Hour (FT/FTH)
Firestop Device, Design No. IPS/PV 120-01



Models 82408 to 82444, 82462 to 82470

1. Wall Construction

- Wood Or Steel Stud
- 1 Hour firewall construction consisting of each stud face being finished with 5/8 gypsum
- 2 Hour firewall construction consisting of each stud face being finished with 2 layers of 5/8 gypsum

2. Box Mounting

- Box should be securely fastened to stud with screws or nails
- Box units cannot be installed back to back within the same wall cavity

3. Piping Options

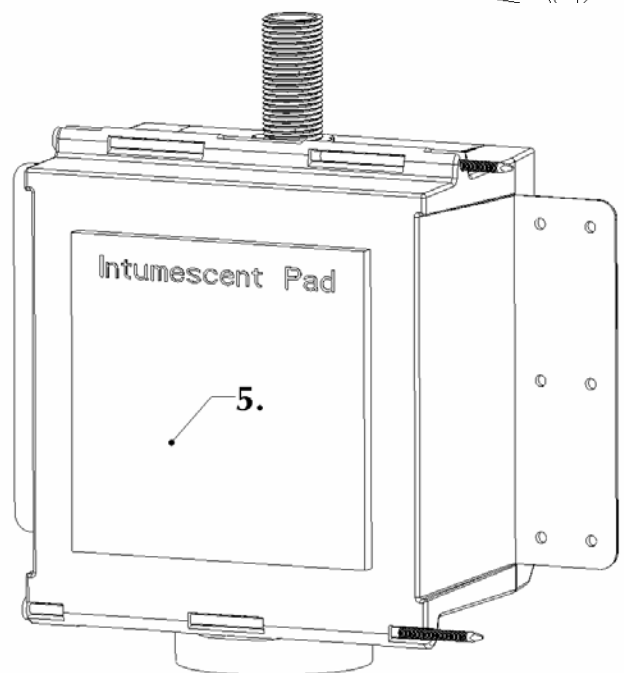
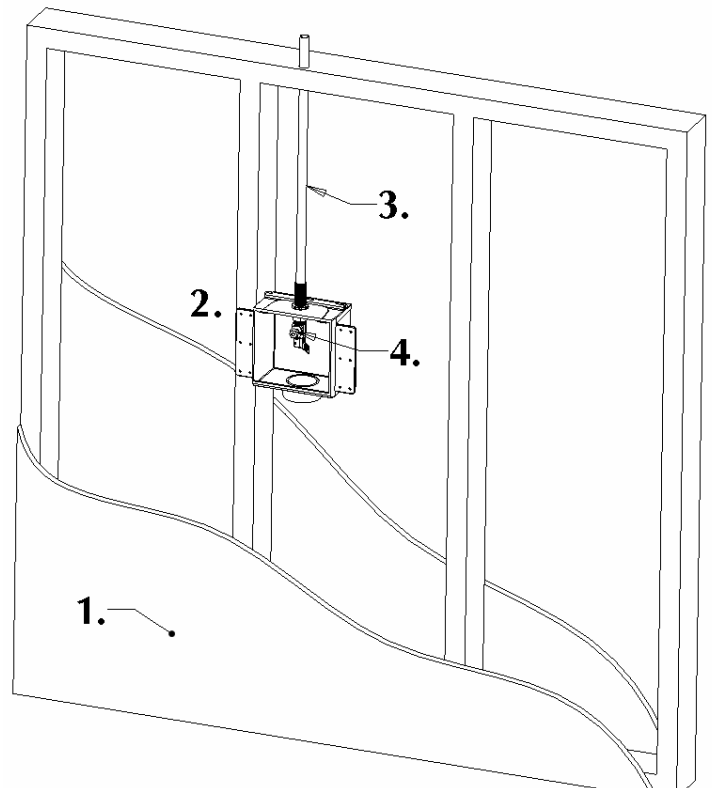
- Supply tubing may be metallic or plastic

4. Valve Options

- Quarter Turn Valves with or without hammer arresters

5. Intumescent Pad

- The IPS FR12 Series Ice Box is manufactured from special frame resistant resin with an intumescent pad factory installed on the back of the box (do not remove).
- Gaps between the box and the gypsum may be filled up to ½" with dry wall plaster.



Design Specification Sheet

FRMIB12 Metal Fire Resistant Ice Box Using Plastic Piping

IPS
CORPORATION®

202 Industrial Park Lane
Collierville, TN 38017
(901) 853-5001

Ratings: ASTM-E814 - 1 Hour (F), 1 Hour (T)
CAN/ULC - S115 1 Hour (F/FH), 1 Hour (FT/FTH)
ASTM-E814 - 2 Hour (F), 72 Min (T)
CAN/ULC- S115 2 Hour (F/FH), 90 Min (FT/FTH)
Firestop Device, Design No. IPS/PV 120-02

Models 82390 to 82399



1. Wall Construction

- Wood Or Steel Stud
- 1 Hour firewall construction consisting of each stud face being finished with 5/8 gypsum
- 2 Hour firewall construction consisting of each stud face being finished with 2 layers of 5/8 gypsum

2. Box Mounting

- Box should be securely fastened to stud with screws or nails
- Box units cannot be installed back to back within the same wall cavity

3. Piping Options

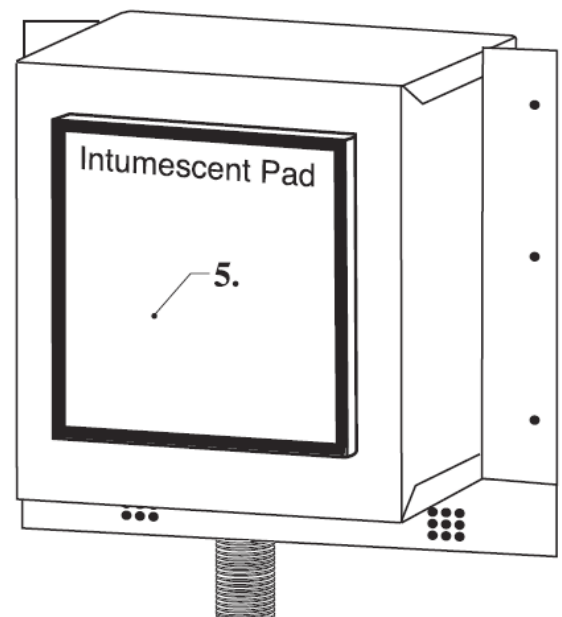
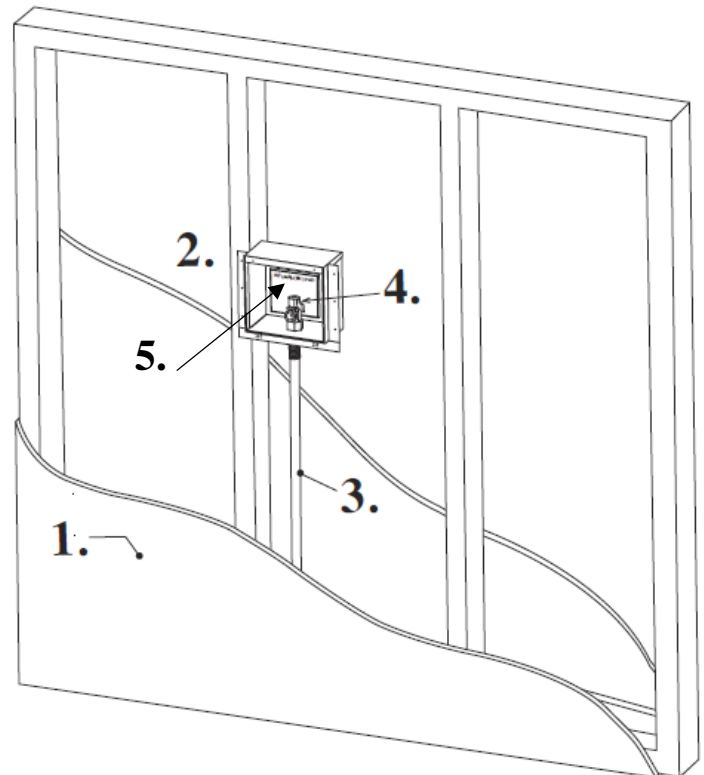
- Supply tubing may be metallic or plastic

4. Valve Options

- Quarter Turn Valves with or without hammer arresters

5. Intumescent Pad

- The IPS FR12M Series Metal Ice Box is manufactured from heavy duty steel with a white powder coat finish. It has 2 factory installed intumescent pads (do not remove).
- Gaps between the box and the gypsum may be filled up to 1/2" with dry wall plaster.



Design Specification Sheet

FRMIB12 Metal Fire Resistant Ice Box Using Metal Piping

IPS
CORPORATION®

202 Industrial Park Lane
Collierville, TN 38017
(901) 853-5001

Ratings: ASTM-E814 - 1 Hour (F), 45 Min (T)
CAN/ULC - S115 1 Hour (F/FH), 45 Min (FT/FTH)
ASTM-E814 - 2 Hour (F), 72 Min (T)
CAN/ULC- S115 2 Hour (F/FH), 2 Hour (FT/FTH)
Firestop Device, Design No. IPS/PV 120-02

Models 82390 to 82399



1. Wall Construction

- Wood Or Steel Stud
- 1 Hour firewall construction consisting of each stud face being finished with 5/8 gypsum
- 2 Hour firewall construction consisting of each stud face being finished with 2 layers of 5/8 gypsum

2. Box Mounting

- Box should be securely fastened to stud with screws or nails
- Box units cannot be installed back to back within the same wall cavity

3. Piping Options

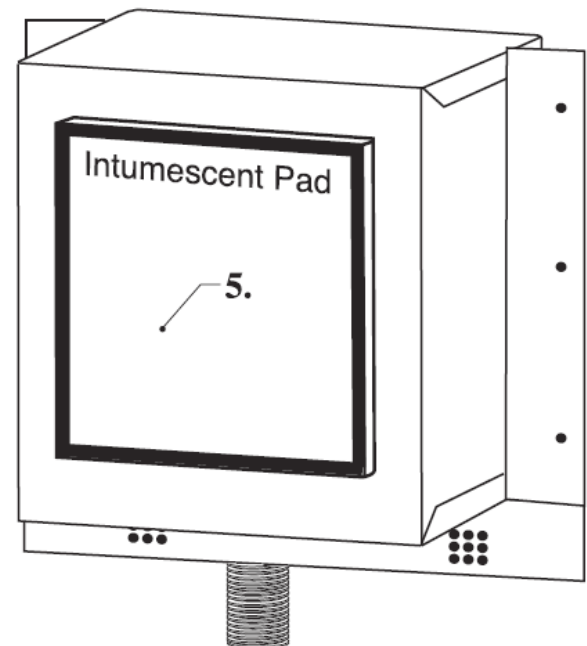
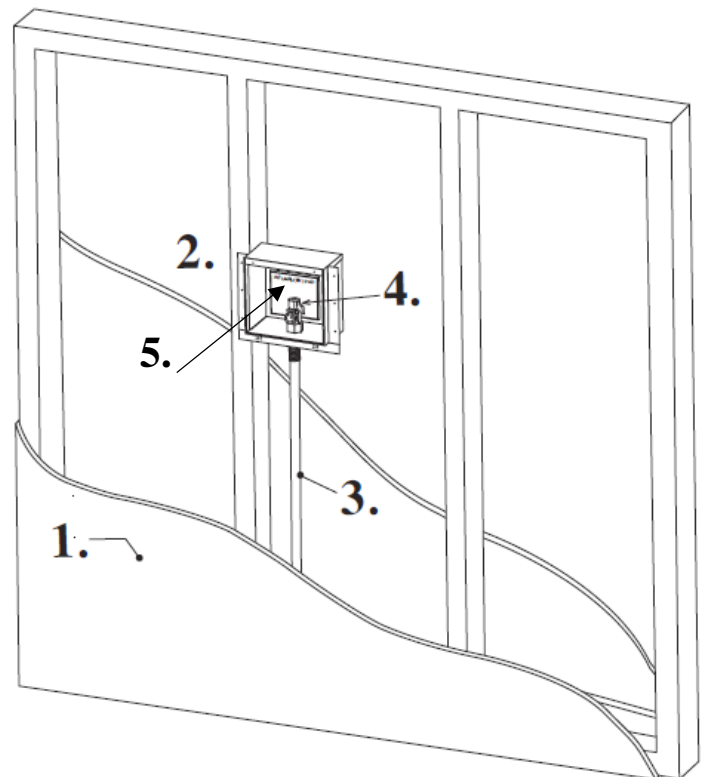
- Supply tubing may be metallic or plastic

4. Valve Options

- Quarter Turn Valves with or without hammer arresters

5. Intumescent Pad

- The IPS FR12M Series Metal Ice Box is manufactured from heavy duty steel with a white powder coat finish. It has 2 factory installed intumescent pads (do not remove).
- Gaps between the box and the gypsum may be filled up to 1/2" with dry wall plaster.



Design Specification Sheet

FR12 Fire Resistant Gas Box

IPS
CORPORATION®

202 Industrial Park Lane
Collierville, TN 38017
(901) 853-5001

Ratings: ASTM-E814 - 1 Hour (F), 1 Hour (T)
CAN/ULC - S115 1 Hour (F/FH), 1 Hour (FT/FTH)
ASTM-E814 - 2 Hour (F), 1.25 Hour (T)
CAN/ULC- S115 2 Hour (F/FH), 1.25 Hour (FT/FTH)
Firestop Device, Design No. IPS/PV 120-01

Models 82446 to 82454



1. Wall Construction

- Wood Or Steel Stud
- 1 Hour firewall construction consisting of each stud face being finished with 5/8 gypsum
- 2 Hour firewall construction consisting of each stud face being finished with 2 layers of 5/8 gypsum

2. Box Mounting

- Box should be securely fastened to stud with screws or nails
- Box units cannot be installed back to back within the same wall cavity

3. Piping Options

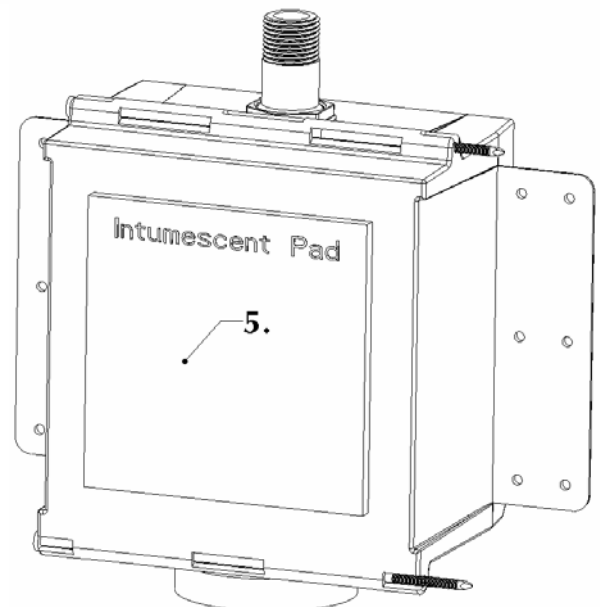
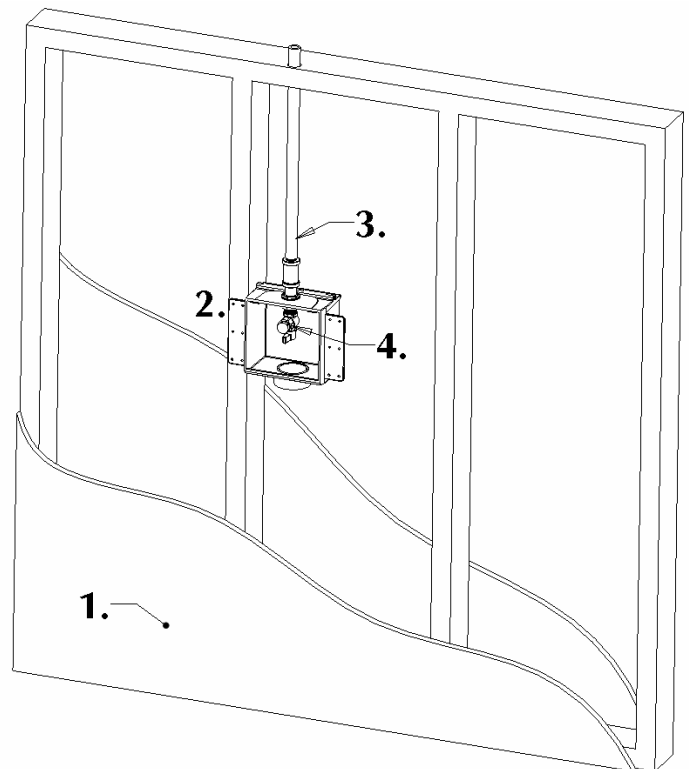
- Rigid or flexible metallic supply
- All plumbing within the wall must be secured

4. Valve Options

- CSA Listed Gas valve

5. Intumescent Pad

- The IPS FR12 Series Washer Box is manufactured from special frame resistant resin with an intumescent pad factory installed on the back of the box (do not remove).
- Gaps between the box and the gypsum may be filled up to ½" with dry wall plaster.



Design Specification Sheet

FR12 Air Admittance Valve Box

IPS
CORPORATION

202 Industrial Park Lane
Collierville, TN 38017
(901) 853-5001

Ratings: ASTM-E814 - 1 Hour (F), 1 Hour (T)
CAN/ULC - S115 1 Hour (F/FH), 1 Hour (FT/FTH)
ASTM-E814 - 2 Hour (F), 1.25 Hour (T)
CAN/ULC- S115 2 Hour (F/FH), 1.25 Hour (FT/FTH)
Firestop Device, Design No. IPS/PV 120-01



Models 82456

1. Wall Construction

- Wood Or Steel Stud
- 1 Hour firewall construction consisting of each stud face being finished with 5/8 gypsum
- 2 Hour firewall construction consisting of each stud face being finished with 2 layers of 5/8 gypsum

2. Box Mounting

- Box should be securely fastened to stud with screws or nails
- Box units cannot be installed back to back within the same wall cavity

3. Piping Options

- Drains may be nominal 2" or larger PVC, ABS or metallic pipe
- All plumbing within the wall must be secured

4. Air Admittance Valves

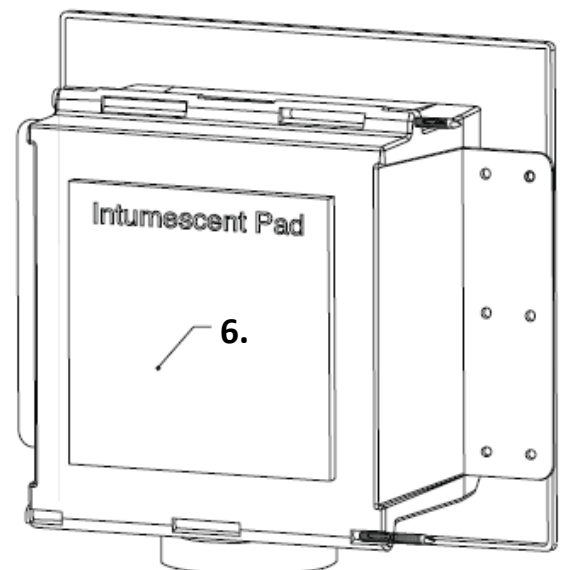
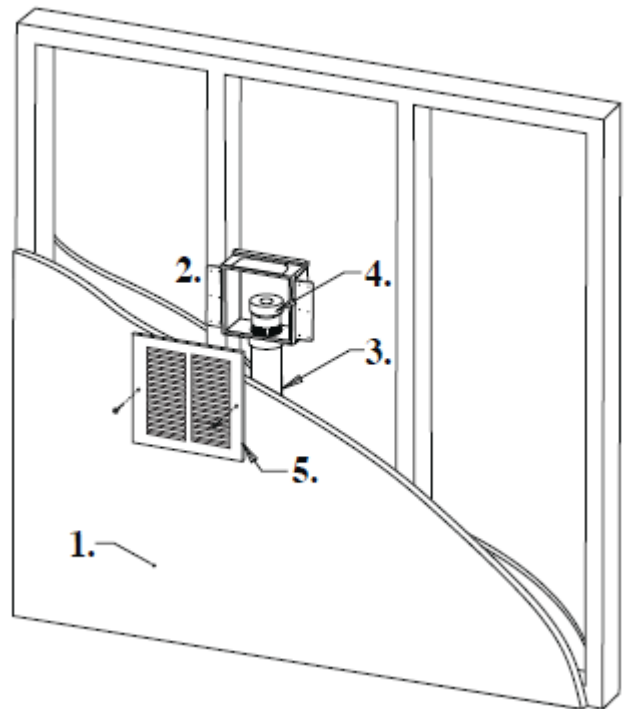
- To be used with Studor® MINI-VENT® or REDI-VENT®

5. Air Register

- Install air register on finished wall with provided screws

6. Intumescent Pad

- The IPS FR12 Series washer box is manufactured from special flame resistant resin with an intumescent pad factory installed on the back of the box (do not remove).
- Gaps between the box and the gypsum may be filled up to 1/2" with dry wall plaster.



Design Specification Sheet

FR12 Auxiliary Drain Box

IPS
CORPORATION

202 Industrial Park Lane
Collierville, TN 38017
(901) 853-5001

Ratings: ASTM-E814 - 1 Hour (F), 1 Hour (T)
CAN/ULC - S115 1 Hour (F/FH), 1 Hour (FT/FTH)
ASTM-E814 - 2 Hour (F), 1.25 Hour (T)
CAN/ULC- S115 2 Hour (F/FH), 1.25 Hour (FT/FTH)
Firestop Device, Design No. IPS/PV 120-01



1. Wall Construction

- Wood Or Steel Stud
- 1 Hour firewall construction consisting of each stud face being finished with 5/8 gypsum
- 2 Hour firewall construction consisting of each stud face being finished with 2 layers of 5/8 gypsum

2. Box Mounting

- Box should be securely fastened to stud with screws or nails
- Box units cannot be installed back to back within the same wall cavity

3. Piping Options

- Drains may be nominal 2" or larger PVC, ABS or metallic pipe
- Auxiliary line may be 1/2" or 3/4" copper, CPVC or PEX tubing
- All plumbing within the wall must be secured

5. Intumescent Pad

- The IPS FR12 Series washer box is manufactured from special flame resistant resin with an intumescent pad factory installed on the back of the box (do not remove).
- Gaps between the box and the gypsum may be filled up to 1/2" with dry wall plaster.

Models 82458

