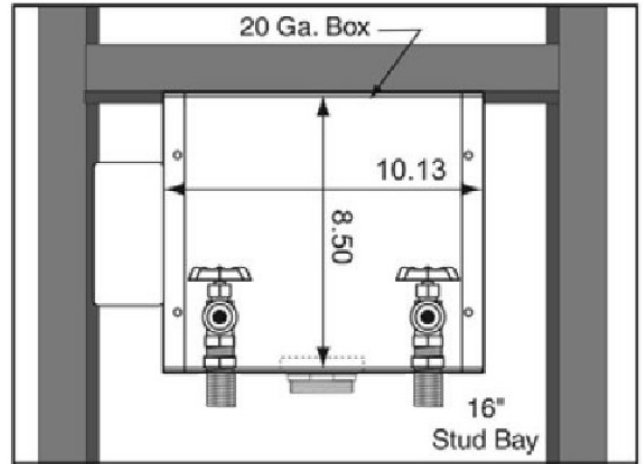
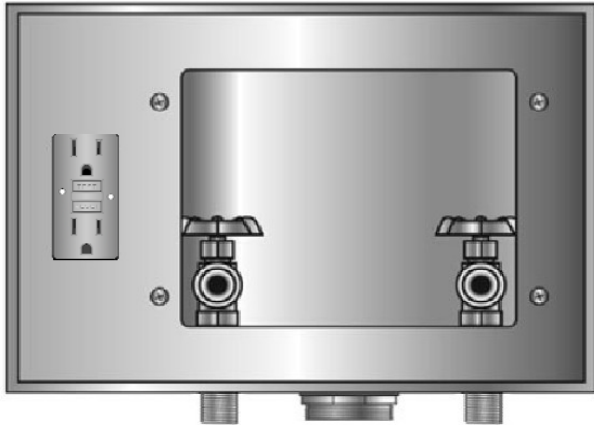




CENTER DRAIN GALVANIZED WMOB, Domestic Valves
With GFCI Receptacle



Specification:

Furnish and install center drain galvanized washing machine outlet box with GFCI receptacle. Unit shall be Guy Gray product code as manufactured by IPS Corporation.

Box Material:

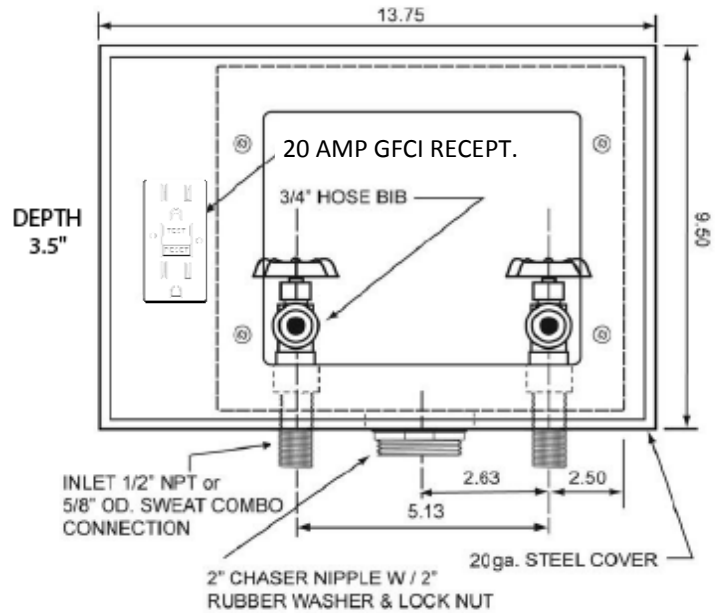
20 gauge Box and 20 gauge faceplate G90 Hot Dipped Galvanized Steel (unpainted)

Valve & Drain Options:

Domestic 1/2" MIP/Sweat Connection Valves.
2" Threaded Drain. Valves comply with ASME A112.18.1

Ground Fault Circuit Interrupter (GFCI Receptacles:

UL/CSA Listed
Rated: 20A outlet, 20A Feed-Through, 125v



Product Code #	Product Description	Model Number	Units/Case
82633	1/2" MIP/Sweat Conx. Valves, 2" Threaded Drain Fitting, w/GFCI	BE200GF	6
82636	Top Mount 1/2" MIP/Sweat Conx. Valves, 2" Threaded Drain Fitting, w/GFCI	BBE200TSGF	6

