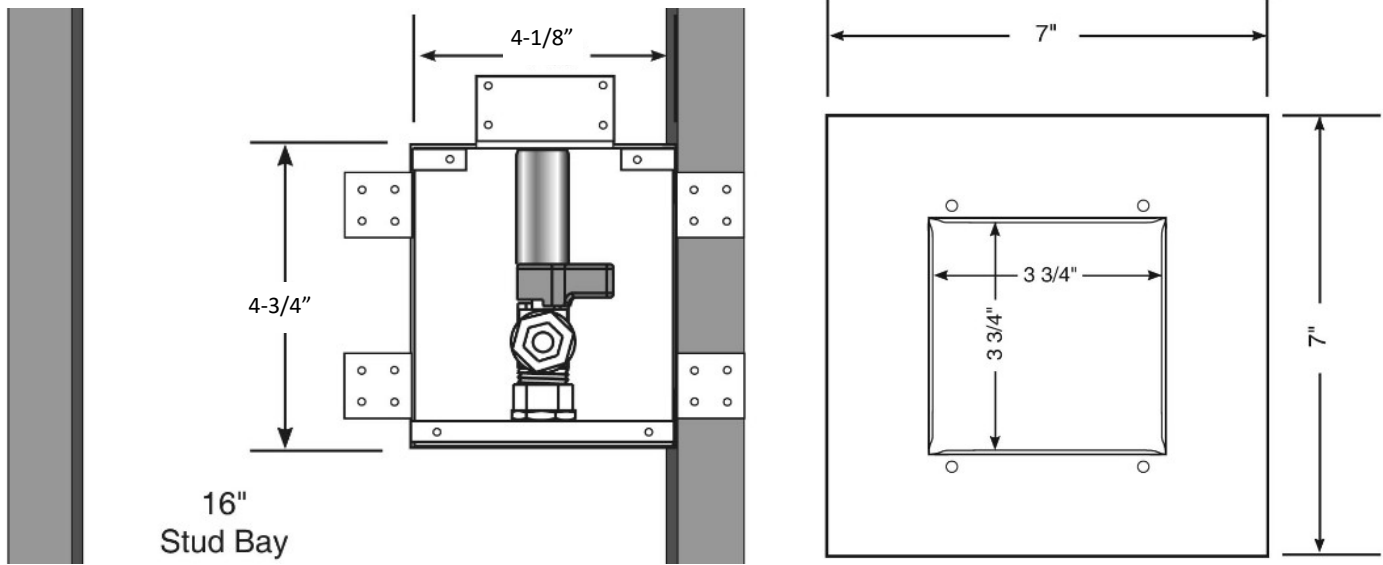




Mini Stainless Steel Ice Maker Outlet Box
With Lead Free Qtr-turn Arrester Valve



SPECIFICATION

Furnish and install recessed, mini stainless steel ice maker outlet box. Ice maker outlet box shall have a brass plated, quarter turn hammer arrester valve meeting Lead-Free requirements NSF61-NSF/ANSI 372 (annex G) and the U.S. Safe Drinking Water Act. Unit shall be Guy Gray™ product code checked below as manufactured by IPS Corporation.



Product Code #	Model Number	Product Description	Units/Case
88525	SSMIB6AB	Brass Qtr Turn Hammer Arrester Valve, Installed, 1/2" Sweat Conx.	5
88526	SSMIB7AB	Brass Qtr Turn Hammer Arrester Valve, Installed, 1/2" CPVC Conx.	5
88527	SSMIB8AB	Brass Qtr Turn Hammer Arrester Valve, Installed, 1/2" F1807 Conx.	5
88528	SSMIB9AB	Brass Qtr Turn Hammer Arrester Valve, Installed, 1/2" F1960 Conx.	5

