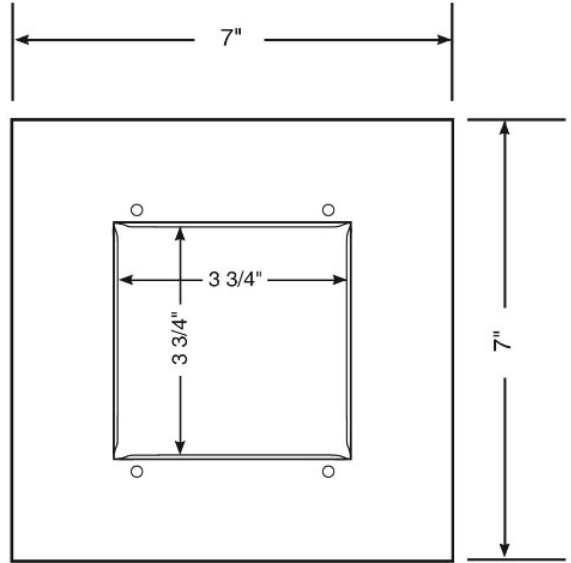
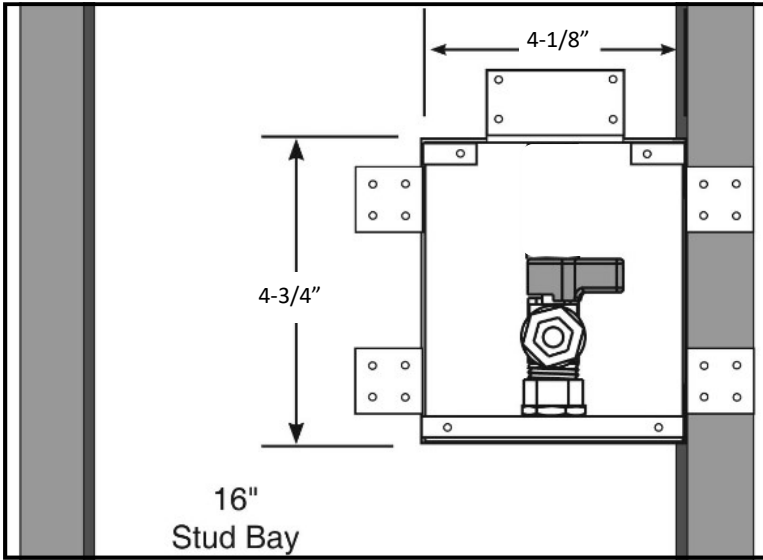




Mini Stainless Steel Ice Maker Outlet Box
With Lead Free Qtr-turn Valve



SPECIFICATION

Furnish and install recessed, mini stainless steel ice maker outlet box. Ice maker outlet box shall have a brass plated, quarter turn valve meeting Lead-Free requirements NSF61-NSF/ANSI 372 (annex G) and the U.S. Safe Drinking Water Act. Unit shall be Guy Gray™ product code checked below as manufactured by IPS Corporation.



Product Code #	Model Number	Product Description	Units/Case
88521	SSMIB1AB	Brass Qtr Turn Valve, Installed, 1/2" Sweat Conx.	5
88522	SSMIB2AB	Brass Qtr Turn Valve, Installed, 1/2" CPVC Conx.	5
88523	SSMIB3AB	Brass Qtr Turn Valve, Installed, 1/2" F1807 Conx.	5
88524	SSMIB4AB	Brass Qtr Turn Valve, Installed, 1/2" F1960 Conx.	5

