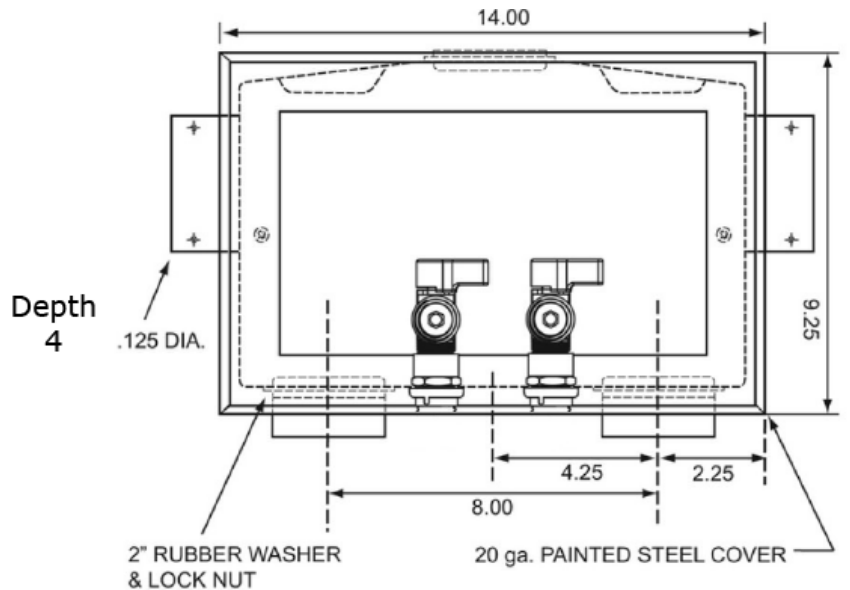
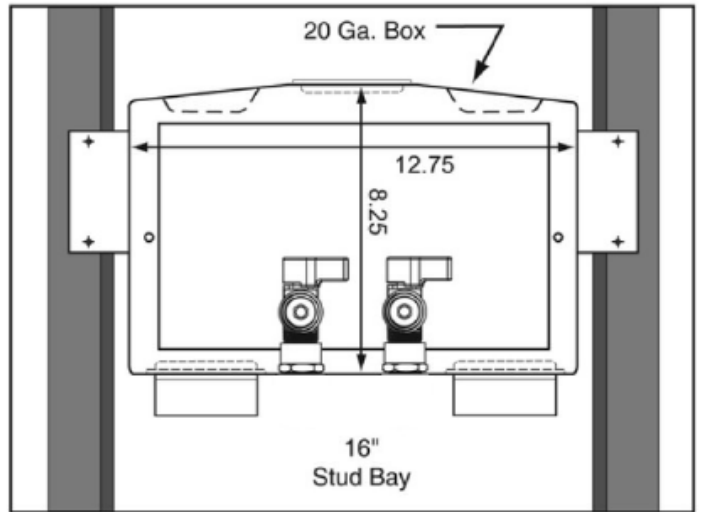
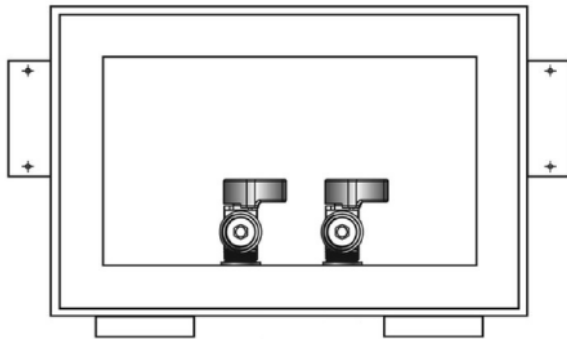




“TT” SERIES DUAL OUTLET WHITE POWDER COATED WMOB with Quarter Turn Valves



Specification:

Furnish and install right drain galvanized, white powder coated on cold rolled steel, outlet box with quarter turn valves. Unit shall be Guy Gray product code checked below manufactured by IPS Corporation.

Box Material:

White Powder Coat on Cold Rolled Steel Finish
20 gauge box with 20 gauge faceplate

Valve & Drain:

Qtr. Turn Valves with MIP/Sweat, CPVC, PEX or Wirsbo

Product Code #	Product Description	Model Number	Case Qty
82341	Dual outlet w/1/2" Qtr Turn Sweat Valves, 2" Slipnut Drain Kit	TT200QTS	6
82343	Dual outlet w/1/2" Qtr Turn Sweat Valves, 2" PVC Drain Fitting	TT200TPPVCS	6
82344	Dual outlet w/1/2" Qtr Turn CPVC Valves, 2" PVC Drain Fitting	TT200TPPVCC	6
82345	Dual outlet w/1/2" Qtr Turn PEX Valves, 2" PVC Drain Fitting	TT200TPPVCP	6
82347	Dual outlet w/1/2" Qtr Turn Sweat Valves, 2" ABS Drain Fitting	TT200TPABSS	6
82348	Dual outlet w/1/2" Qtr Turn CPVC Valves, 2" ABS Drain Fitting	TT200TPABSC	6
82349	Dual outlet w/1/2" Qtr Turn PEX Valves, 2" ABS Drain Fitting	TT200TPABSP	6
82306	Dual outlet w/1/2" Qtr Turn Wirsbo Valves, 2" ABS Drain Fitting	TT200TPPVCW	6

