

# SPECIFICATION SUBMITTAL SHEET



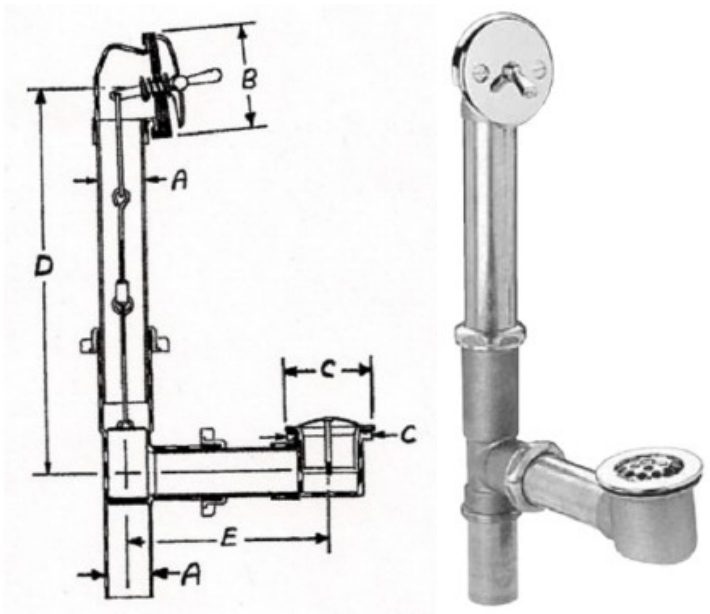
## BRASS "G" STYLE TRIP-LEVER WASTE & OVERFLOW

Job Name: \_\_\_\_\_  
 Job Location: \_\_\_\_\_  
 Engineer: \_\_\_\_\_  
 Approval: \_\_\_\_\_

Contractor: \_\_\_\_\_  
 Approval: \_\_\_\_\_  
 Contractor's PO#: \_\_\_\_\_  
 Representative: \_\_\_\_\_

### Specifications

- Series 1430G  
 Brass Bath Waste & Overflow
- Adjustable "G" Style Type Lever Linkage
  - Standard Length
  - Brass Grid
  - Available in 20GA or 17GA Brass Tubing
  - ADA compliant



DIMENSIONS FOR ALL ITEMS LISTED				
A	B	C	D	E
			Min to Max	Min to Max
1-1/2" OD	3-3/8"	2-15/16"	12-9/16" to 15-1/16"	7-1/2" to 8"

✓	Product Code	IAPMO	Material	Finish (Trim Only)	Model #	UNITS/CASE
	61010		20 GA Brass	Chrome	ABA1430G	12
	61012*		20 GA Brass	Chrome	ABA1430GC	12
	61116		20 GA Brass	Polished Brass	ABA1432G	12
	61123		20 GA Brass	Satin Nickel	ABA1434SN	12
	64102		20 GA Brass	Venetian Bronze	ABA1434VB	12
	61122		20 GA Brass	Oil Rubbed Bronze	ABA1434ORB	12
	61007		17 GA Brass	Chrome	ABA143017GA	12
	61709		17 GA Brass	Polished Brass	ABA1432G17	12

\*With retaining clip

