

SPECIFICATION SUBMITTAL SHEET



TUBULAR BRASS BATH WASTE & OVERFLOW SLIP-JOINT with TOUCH TOE STOPPER

Job Name: _____
 Job Location: _____
 Engineer: _____
 Approval: _____

Contractor: _____
 Approval: _____
 Contractor's PO#: _____
 Representative: _____

Specifications

- 1-1/2" 17 OR 20 Gauge Brass Pipe (see description below)
- Touch Toe Stopper
- Extra Heavy Brass Strainer
- Add QTY 2 of part # 69809 if brass ferrules are required
- Add 63001 (chrome one-hole OF plate & 63000 (converter bar) to convert to a One-Hole application
- ADA Compliant



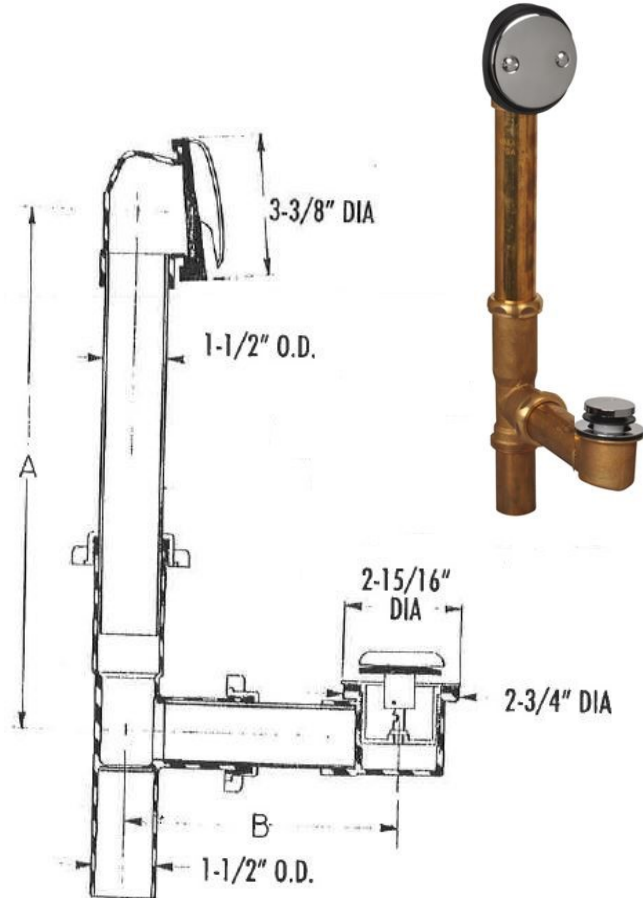
69809



63001



63000



√	Product Code	Description	Model #	A Min to Max	B Min to Max
	64205	17 GA Standard, Touch Toe, Chrome	ABA1421CS17GA	12-9/16" to 15-1/16"	7-1/2" to 8"
	64198	20 GA Standard, Touch Toe, Chrome	ABA1421CS	12-9/16" to 15-1/16"	7-1/2" to 8"
	64219	17 GA XL, Touch Toe, Chrome	ABA14219CS17GA	20-9/16" to 23-3/16"	11-1/16" to 11-1/2"
	64212	20 GA XL, Touch Toe, Chrome	ABA14219CS	20-9/16" to 23-3/16"	11-1/16" to 11-1/2"
ACCESSORIES					
	69809	Brass Ferrule	ABA168	-	-
	63000	Converter Bar	ABA4227	-	-
	63001	One-Hole Overflow Plate	ABA6835	-	-

