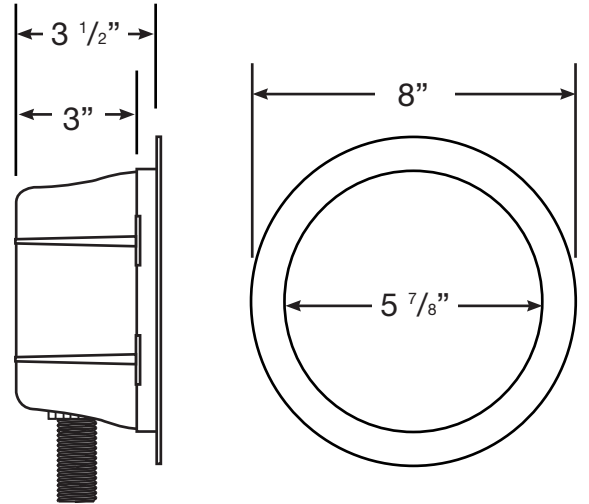
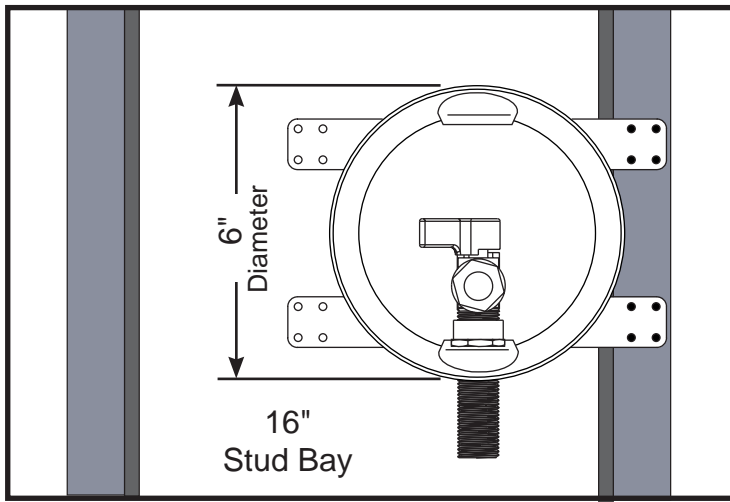


SPECIFICATION SUBMITTAL SHEET

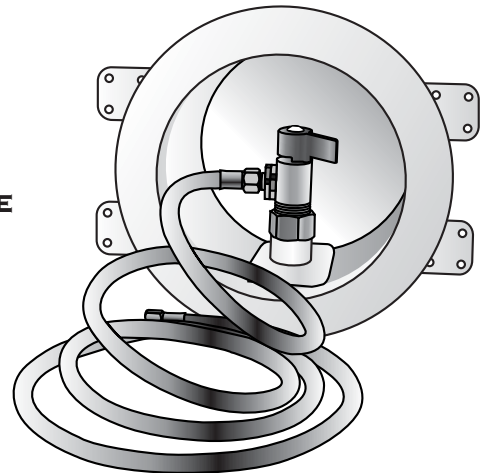
**WATER•TITE**

Round Ice Maker Box with Stainless Steel Hose



**SPECIFICATION**

Furnish and install recessed round ice maker box with stainless steel supply hose and quarter turn valve. Unit shall be **WATER•TITE** product code checked below with appropriate valve connection as manufactured by IPS Corporation in Collierville, TN.



PROD. CODE	DESCRIPTION
88058	Round ice maker box/ sweat valve/S.S. Hose
88059	Round ice maker box/ sweat valve/S.S. Hose/cont. pack
88060	Round ice maker box/ CPVC valve/S.S. Hose
88061	Round ice maker box/ CPVC valve/S.S. Hose/cont. pack
88062	Round ice maker box/ wirsbo connection valve/S.S. Hose
88063	Round ice maker box/ wirsbo connection valve/S.S. Hose/cont pack
88064	Round ice maker box pex valve/S.S. Hose
88065	Round ice maker box pex valve/S.S. Hose/cont. pack



Manufacturers of **WELD•ON** and **WATER•TITE** Products

202 Industrial Park Ln • P.O. Box 220 • Collierville, TN 38027, U.S.A. • Tel: 901-853-5001 • Wats: 1-800-888-8312 • Fax: 901-853-5008  
455 West Victoria • Compton, CA 90220, U.S.A. • Tel: 310-898-3300 • Wats: 1-800-421-2677 • Fax: 310-898-3390