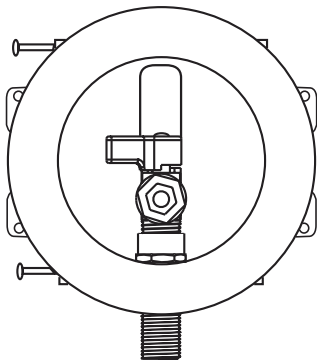
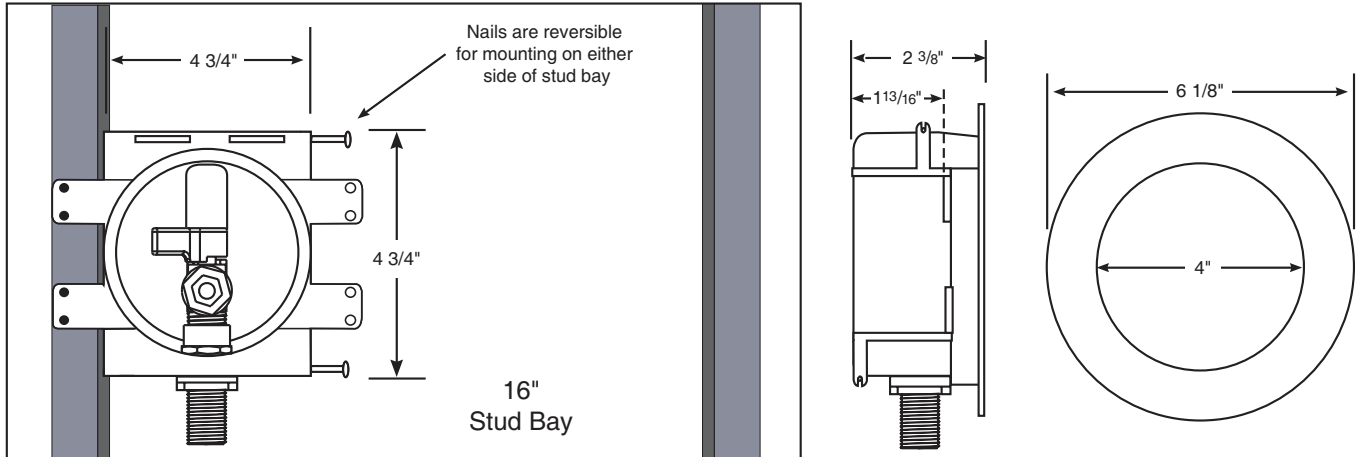


SPECIFICATION SUBMITTAL SHEET



Mini Round Ice Maker Outlet Box



SPECIFICATION

Furnish and install recessed Mini Ice Maker Box with hammer arresters and preloaded nails. Unit shall be **WATER•TITE** product code checked below with appropriate valve connection as manufactured by IPS Corporation in Collierville, TN.

✓	Product Code	Description	Model #
	88087	Mini IceMaker Outlet Box w/ solder valves	W9200
	88088	Mini IceMaker Outlet Box w/ solder valves/ cont. pack	W9200CP
	88089	Mini IceMaker Outlet Box w/ CPVC valves	W9201
	88090	Mini IceMaker Outlet Box w/ CPVC valves/ cont. pack	W9201CP
	88091	Mini IceMaker Outlet Box w/ pex valves	W9202
	88092	Mini IceMaker Outlet Box w/ pex valves/ cont. pack	W9202CP
	88093	Mini IceMaker Outlet Box w/ Kitec® valves	W9203
	88094	Mini IceMaker Outlet Box w/ Kitec® valves/ cont. pack	W9203CP
	88095	Mini IceMaker Outlet Box w/ Wirsbo® valves	W9211
	88096	Mini IceMaker Outlet Box w/ Wirsbo® valves/ cont. pack	W9211CP
	88097	Mini IceMaker Outlet Box w/ 3/8" pex valves	W9238
	88098	Mini IceMaker Outlet Box w/ 3/8" pex valves/ cont. pack	W9238CP
	88101	Mini IceMaker Outlet Box w/ domestic solder valves	W9200D
	88116	Mini IceMaker Outlet Box w/ solder arrester valves	W9200HA
	88117	Mini IceMaker Outlet Box w/ solder arrester valves/ cont. pack	W9200HACP
	88118	Mini IceMaker Outlet Box w/ CPVC arrester valves	W9201HA
	88119	Mini IceMaker Outlet Box w/ CPVC arrester valves/ cont. pack	W9201HACP
	88120	Mini IceMaker Outlet Box w/ pex arrester valves	W9202HA
	88121	Mini IceMaker Outlet Box w/ pex arrester valves/ cont. pack	W9202HACP

Wirsbo® is a registered trademark of Uponor/Wirsbo. KITEC® is a registered trademark of IPEX, Inc.



www.ipscorp.com ipscorp@aol.com

500 Distribution Parkway, P.O. Box 220 Collierville, TN 38027, USA • TEL: 901-853-5001 • WATS: 800-8312 • FAX: 901-853-5008
 455 West Victoria, Compton, CA 90220, USA • TEL: 898-3300 • WATS: 800-421-2677 • FAX: 310-898-3390