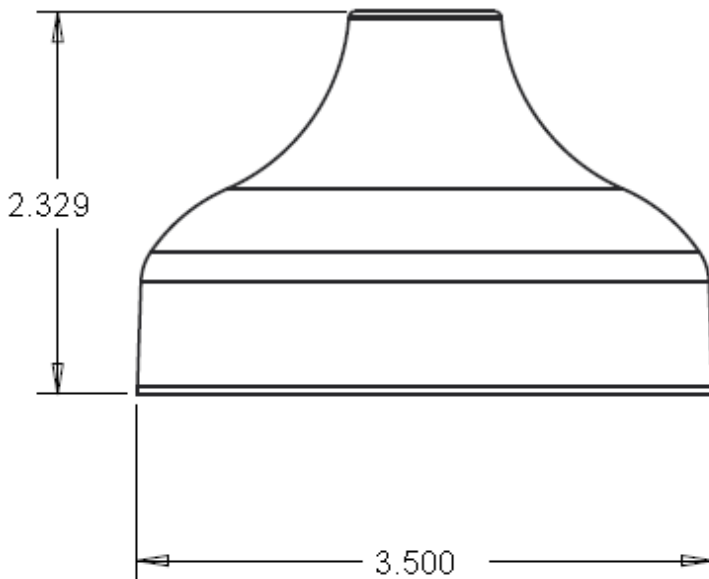


SPECIFICATION

Furnish and install Solar Collar as noted below. Unit shall be Water-Tite item number listed below as manufactured by IPS Corporation. **(Do not use Petroleum based mastics, sealing compounds, or paints on rain collars, collar portion of all flashings, and on hardbase or flexible flashing bases.)**



Bottom View

Product Code #	Product Description	Model	Units/Case
81950	Solar Collar for 7/8" to 1" Mounting Legs or Vent Pipes, (25/bag)	RCS1	100