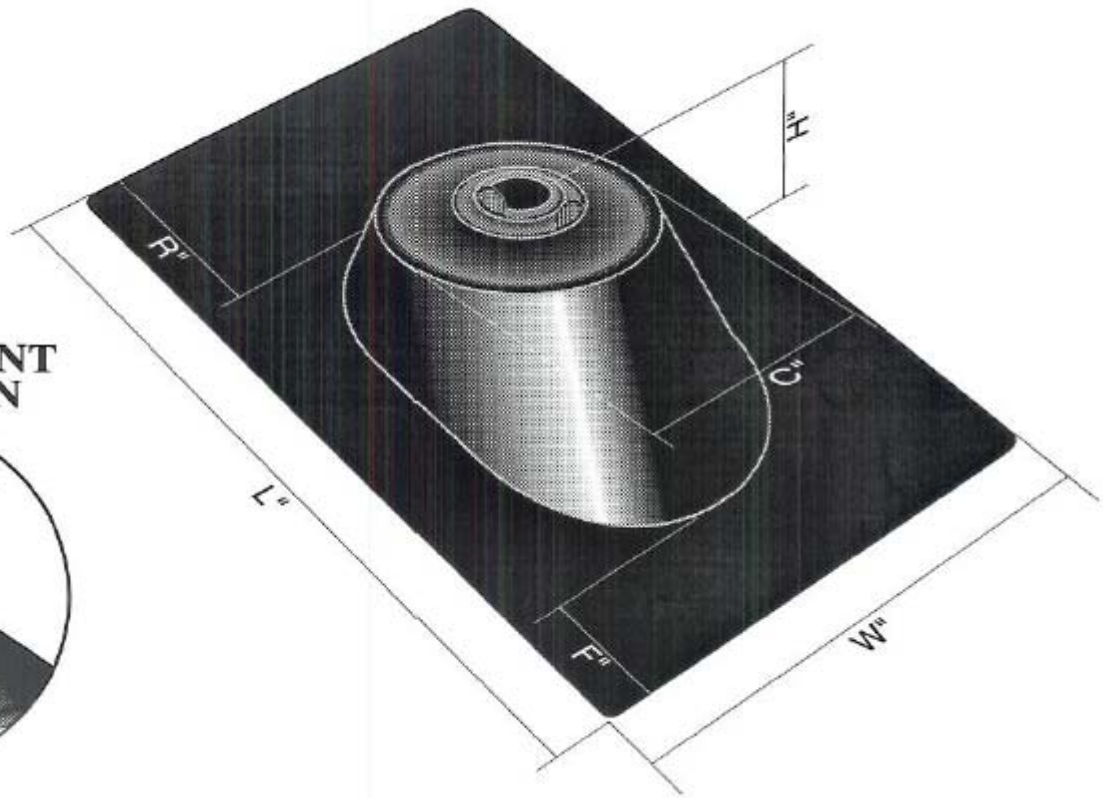
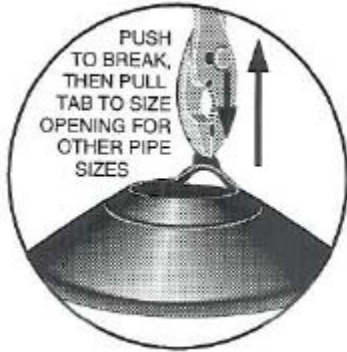


SPECIFICATION

Furnish and install hard plastic base roof vent flashing with adjustable, multi-size elastomer collar. Unit shall be Water-Tite item number checked below as manufactured by IPS Corporation, as per corresponding dimensional characteristics, or equivalent. **(Do not use Petroleum based mastics, sealing compounds, or paints on collar portion of all flashings, on all hardbase, flexible, or rain collars.)**



ADJUSTMENT FUNCTION



✓ PROD. CODE

81700
81702

Roof Vent Flashing Dimensional Characteristics

Model	Vent Size	Dim. W	Dim. L	Dim. R	Dim. F	Dim. C	Dim. H
HB 31	1 1/4" - 3"	11 1/8"	15"	3 1/2"	2 1/2"	5 3/10"	2 7/8"
HB 34	3" - 4"	12"	15 1/2"	3 3/8"	2 1/8"	6 1/4"	2 9/10"