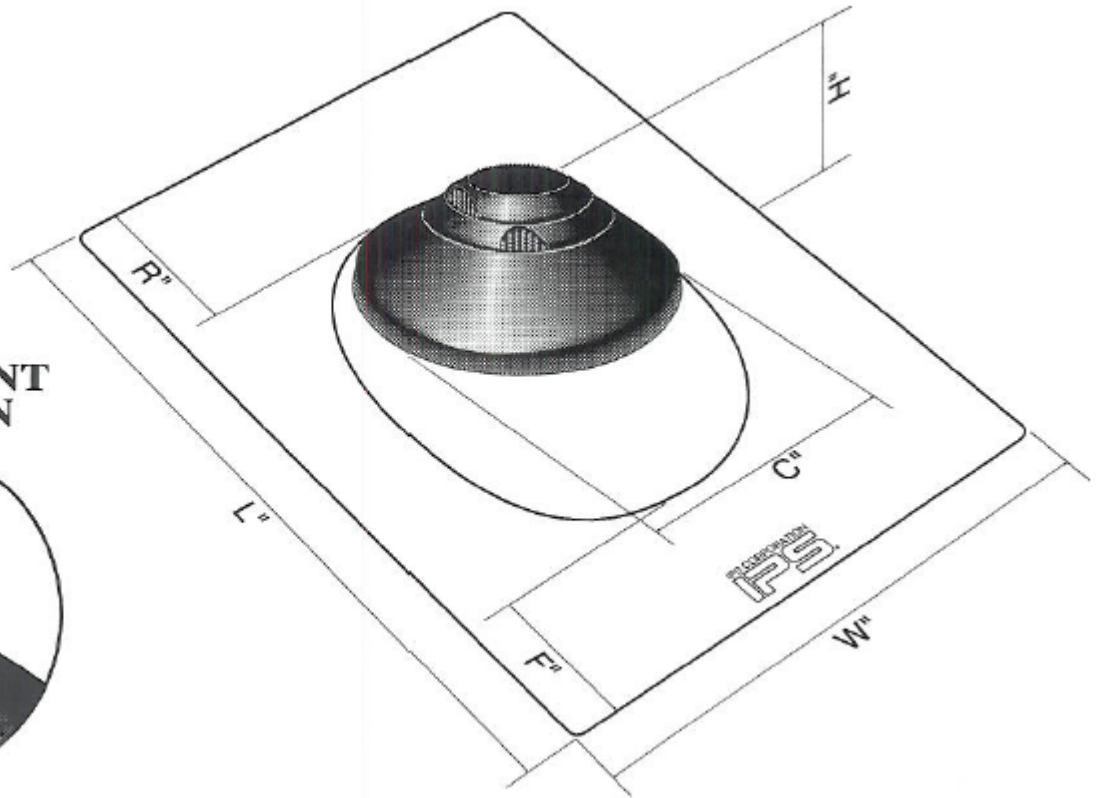
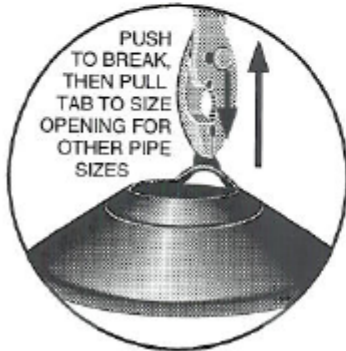


SPECIFICATION

Furnish and install roof vent flashing with 24 gauge galvanized steel base, fitted with adjustable, multi-size elastomer collar. Unit shall be Water-Tite item number checked below as manufactured by IPS Corporation, as per corresponding dimensional characteristics, or equivalent. **(Do not use Petroleum based mastics, sealing compounds, or paints on collar portion of all flashings, on all hardbase, flexible, or rain collars.)**



ADJUSTMENT FUNCTION



✓ PROD. CODE	Roof Vent Flashing Dimensional Characteristics							
	Model	Vent Size	Dim. W	Dim. L	Dim. R	Dim. F	Dim. C	Dim. H
81710	GB 31	1 1/4" - 3"	10 3/4"	14 1/2"	2 5/8"	2 3/8"	5 1/2"	2 1/8"
81713	GB 3118	1 1/4" - 3"	18"	18"	5 3/8"	5 1/8"	5 1/2"	2 1/8"
81712	GB 34	3" - 4"	12"	16"	3 3/4"	2 3/4"	6 1/2"	2 1/4"
81714	GB 3418	3" - 4"	18"	18"	4 3/4"	3 3/4"	6 1/2"	2 1/4"