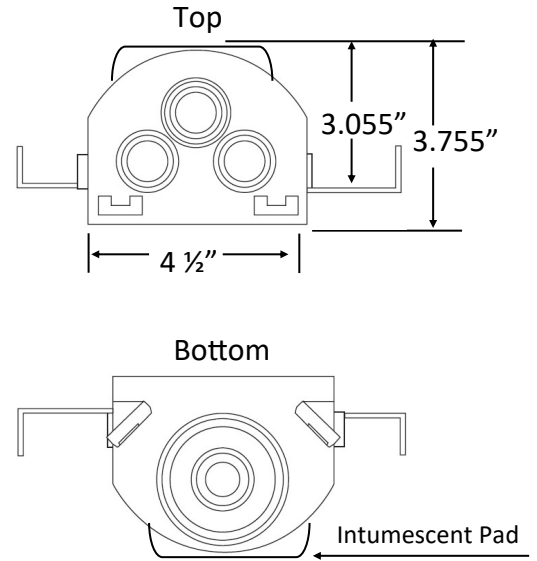
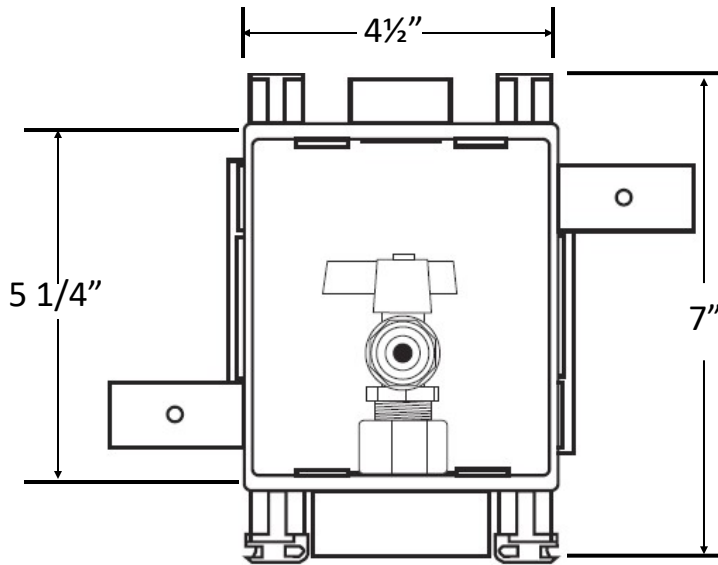




“FR” MultiBox™, Gas Outlet Box System



Specification:

Furnish and install fire-rated MultiBox Gas Outlet Box. Unit shall be Water-Tite product code checked below, as manufactured by IPS Corporation.

Box/Fame Material:

PVC

Valve:

Gas Valve as indicated below.

Available Accessories:

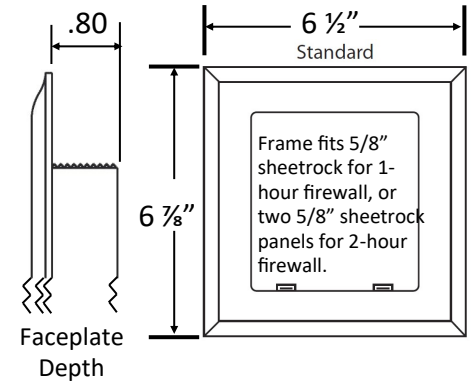
3 Universal Faceplates: Open, Solid and Louvered
Stabilizer Bar

Certifications:

Valve complies with ANSI Z21/CSA9.1
Box
Valve

Boxes have been certified with the following ratings:

ASTM E814, 1 Hr (F), 41 Min (T) and 2 Hr (F), 101 Min (T)
CAN/ULC-S115-1 Hr (F/FH), 41 Min (FT/FTH) and 2 Hr (F/FH), 101 Min (FT/FTH)



✓	Product Code #	Model #	Product Description	Units/Case
	83347	FRMBG1212IP	FR Gas OB, 1/2" Gas Valve	10
	83348	FRMBG1212CSST	FR Gas OB, 1/2" Gas Valve for CSST Pipe	10
	83349	FRMBG1234IP	FR Gas OB, 3/4" Gas Valve	10

