



LAV SHIELD®



LAV GUARD2®



BASIN GUARD®

ADA-COMPLIANT UNDERSINK PIPE PROTECTION



ADA-COMPLIANT PROFESSIONAL DURABLE

Since 1990, the Truebro® brand of products has been dedicated to “Making America Accessible” by creating products that comply with the Americans with Disabilities Act, mandated undersink accessibility standards. Engineering expertise, uncompromising production standards, and commitment to ongoing product development has positioned Truebro® as the leading supplier in both the new construction and retrofit markets.

Specifying Truebro® is assurance of protecting people with disabilities while providing quality, durability, and improved aesthetics.

Truebro® offers the most complete line of undersink protection products to meet any installation need, including:

.....
LAV SHIELD®
.....

LAV GUARD 2®
.....

BASIN GUARD™
.....



LAV SHIELD®

Overview

Lav Shield® represents the “next generation” of ADA compliant undersink protection by meeting mandated knee and toe clearance requirements for wheelchair users. Durable, single-piece construction prevents pipe and component tampering, and conceals all lavatory piping, electronic faucet connections, mixing valves, trap primers, and instantaneous water heaters*— a truly attractive alternative to individual component covers that will satisfy even the most discriminating designer.

TOTAL ENCLOSURE DESIGN

Heavy-duty, vandal-resistant enclosure shields all piping, electronic faucet components, mixing valves, trap primers, and instantaneous water heaters*. Vandal-resistant fasteners are available upon request.

SANITARY ADVANTAGES

Lav Shield contains an antimicrobial additive to resist fungal and bacterial growth making the Lav Shield an excellent cover to use in medical and health care facilities. Installing Lav Shield in these facilities eliminates the need to sanitize P-Traps, angle stops, supply lines and electrical components.

ADA-CONFORMING ATTRACTIVE PROFILE

The Lav Shield tastefully conceals all unsightly plumbing and components while satisfying ADA dimensional requirements.

STRICT CODE COMPLIANCE MINIMIZES RISK

The Lav Shield complies with ASME A112.18.9-2001, ADA article 4.19.4 (606.5), California P 1504B, ANSI A117.1, BOCA P 1203.4, and other state and local regulations.

EASY-TO-SERVICE SINGLE-PIECE CONFIGURATION

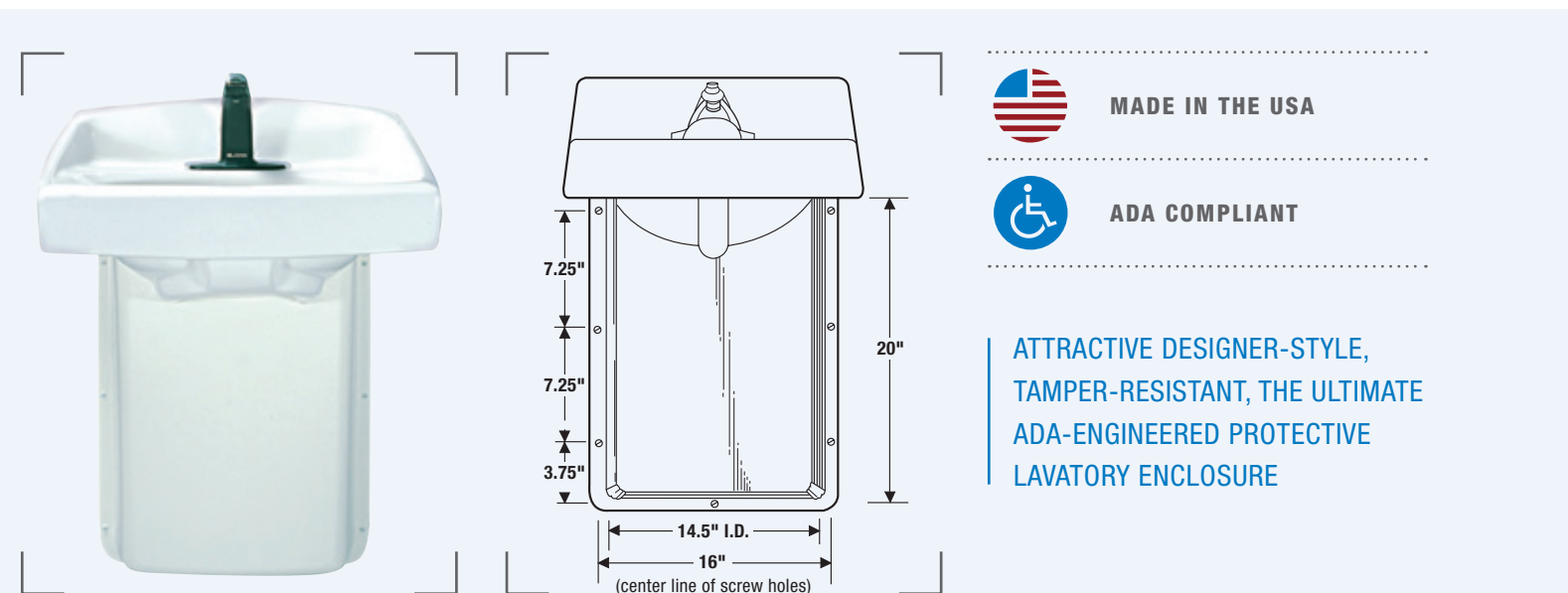
The Lav Shield may be quickly removed for convenient, unhindered access to all plumbing and mechanical components. Reinstallation takes just minutes.

WIDE VARIETY OF CUSTOM OPTIONS

Available in our standard field fit model which allows contractor to custom fit Lav Shield to underside of lavatory. For an even faster and more tailored fit, Lav Shield can be purchased factory pre-cut to the underside geometry of the actual lavatory being installed. Pre-cut models are listed on following page.

RIGID HIGH-IMPACT, STAIN-RESISTANT PVC

The Lav Shield is molded from impact-resistant, stain-resistant and chemical-resistant rigid vinyl for durability, safety and long life.



*Lavatory “rough in” should be considered to allow mounting room for instantaneous water heater behind enclosure. Contact TRUEBRO for specifications.

LAV SHIELD® LAVATORY PROTECTIVE ENCLOSURES

SPECIFICATIONS

Material	Rigid high-impact, stain-resistant PVC
Nominal Wall	.093"
Finish	Fine haircell
UV Protection	Will not fade or discolor
Durability	Virtually indestructible — tamper resistant screws available
Fasteners	7 stainless steel screws and wall anchors provided
Color	China white
Compatibility	Fits all ADA-conforming 20"x18" wall-hung lavatories
Paintability	Acrylic enamel or latex
UL Listing	In accordance with ADA Article 4.19.4 (606.5)
Flammability	UL-94 V-0, 5VA ASTM D-635-91 4 (ATB) 2.1 (AEB)
Bacterial/Fungal	ASTM G21 and G22 — Result 0

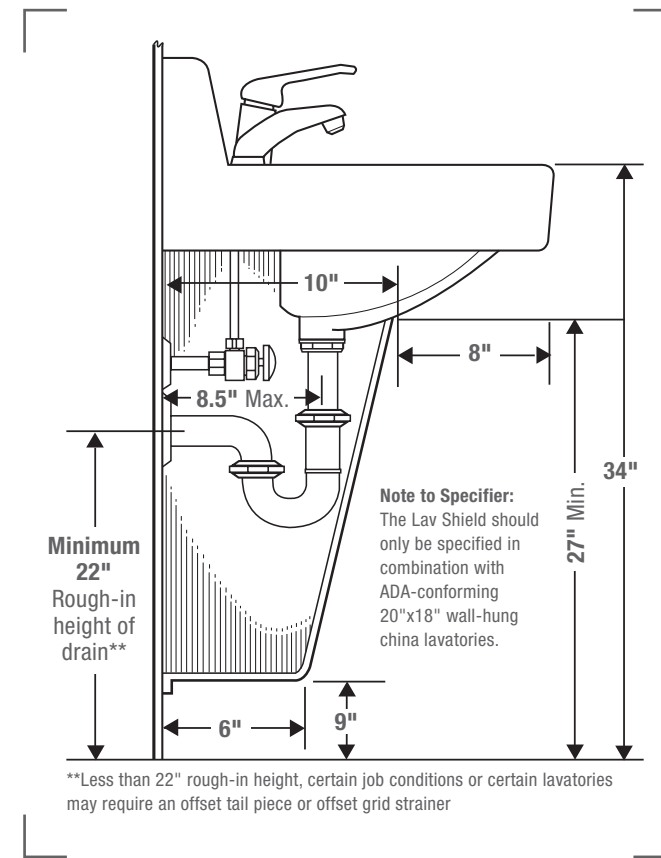
STANDARD MODELS

Model #2018	Standard (For field fit)
--------------------	--------------------------

CUSTOM FACTORY PRE-CUT MODELS

Pre-cut models are not returnable

Model #2018-AS-C	American Standard Comrade
Model #2018-AS-D	American Standard Declyn
Model #2018-AS-L	American Standard Lucerne
Model #2018-AS-M	American Standard Muro
Model #2018-AS-OL	American Standard Lucerne
Model #2018-AS-P	American Standard Penlyn
Model #2018-AS-R	Old Lucerne American Standard Roxalyn
Model #2018-BD-I	Bradley Imperial
Model #2018-BR-M	Briggs Milton
Model #2018-BR-W	Briggs Whitman
Model #2018-CR-H	Crane Harwich
Model #2018-CR-N	Crane Norwich
Model #2018-CR-W	Crane Westmont
Model #2018-CR-Y	Crane Yorkshire
Model #2018-EL-B	Eljer Blair
Model #2018-EL-D	Eljer Delwyn
Model #2018-EL-M	Eljer Mayburne
Model #2018-EL-S	Eljer Signature
Model #2018-EL-U	Eljer Bucknell
Model #2018-GR-H	Gerber Hayes
Model #2018-GR-M	Gerber Monticello
Model #2018-GR-P	Gerber Plymouth
Model #2018-KO-B	Kohler Breham
Model #2018-KO-C	Kohler Chesapeake
Model #2018-KO-G	Kohler Greenwich, Model 202
Model #2018-KON-G	Kohler Greenwich, Model 203
Model #2018-KO-H	Kohler Hudson
Model #2018-KO-K	Kohler Kingston
Model #2018-KO-P	Kohler Poinir
Model #2018-KO-S	Kohler Soho
Model #2018-HB-NS	Mansfield Grand Isle
Model #2018-SL-SS	Sloan SS-3003
Model #2018-TO-L	Toto LT307
Model #2018-ZN-Z	Zurn Z5344
Model #2018-ZN-NZ	Zurn Z5344



Note: All Lav Shield items are available in 1-packs or 4-packs.

LAV GUARD²

Overview

Lav Guard² provides the durable, attractive protection Lav Guard is famous for. Built-in fasteners and internal Tear-To-Fit trimming feature eliminate the need for tools, and provide for a clean, tamper-resistant, fast and professional installation. Lav Guard 2 can be installed over cast brass or tubular P-trap assemblies and angle stop assemblies. Lav Guard 2 provides a professional and quick-to-install ADA compliant solution for all public lavatories.

INTERNAL RIB DESIGN MAXIMIZES SAFETY

Lav Guard 2 features a patented internal rib design that increases thermal protection while providing a soft, resilient cushioning.

ANTIMICROBIAL VINYL MINIMIZES MAINTENANCE

Lav Guard 2 is molded from impact-resistant, stain-resistant, antimicrobial vinyl. Its smooth surface makes it exceptionally easy to clean and maintain.

STRICT CODE COMPLIANCE MINIMIZES RISK

Lav Guard 2 complies with ASME A112.18.9-2001, ADA article 4.19.4 (606.5), CABO/ANSI 4.20.4, UFAS 4.19.4, Calif. Title 24, UPC, IPC, ICC, Canada Barrier-Free Code.

LAV GUARD 2 MAKES INSTALLATION FAST & EASY

Tear-To-Fit feature makes trimming fast and contractor friendly—no tools required.

Built-in fasteners are quick, strong, and reusable.

Universal design fits more P-traps and thumb wings on plastic compression nuts.



MADE IN THE USA



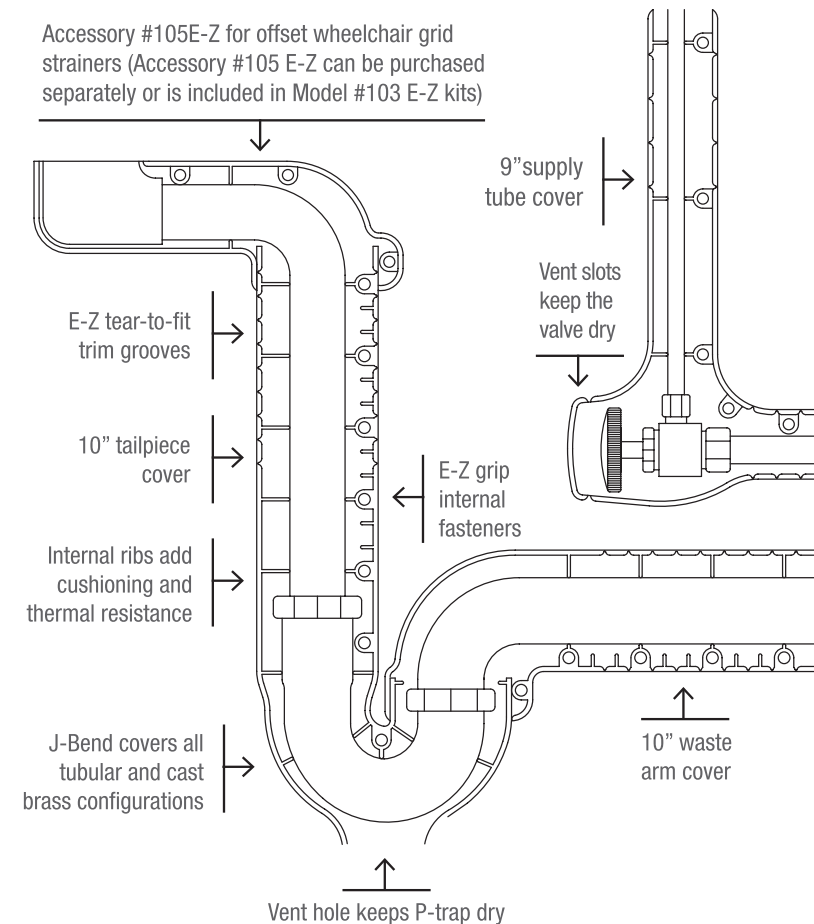
ADA COMPLIANT

**IMPROVED, FAST-INSTALLING
ANTIMICROBIAL MOLDED
UNDERSINK SAFETY COVERS FOR
ADA ACCESSIBILITY COMPLIANCE**

LAV GUARD² 2 UNDERSINK PIPING COVERS

SPECIFICATIONS

Material	Soft, resilient molded vinyl
Nominal Wall	1/8" constant with internal ribs
Durometer	70-80 — Shore A
UV Protection	Will not fade or discolor
Durability	Virtually indestructible
Trimming (E-Z Series)	Internal E-Z Tear-To-Fit trim feature
Fasteners (E-Z Series)	Internal E-Z Grip fasteners, reusable
Color	China white
Compatibility #100 Series	Fits all 1-1/4" or 1-1/2" cast brass or tubular P-trap assemblies and 3/8" or 1/2" angle stop assemblies
Compatibility #400* Series	Fits all 1-1/2" schedule 40 plastic P-traps
Paintability	Apply latex paint
Burning Characteristics ASTM D-635	Self extinguished 0 sec (ATB) mm (AEB)
Bacteria/Fungus Resistance	ASTM G21 and G22 — Result: 0 growth
Maintenance	Wipe clean using common detergents



LAV GUARD[®]2

Two-step Installation

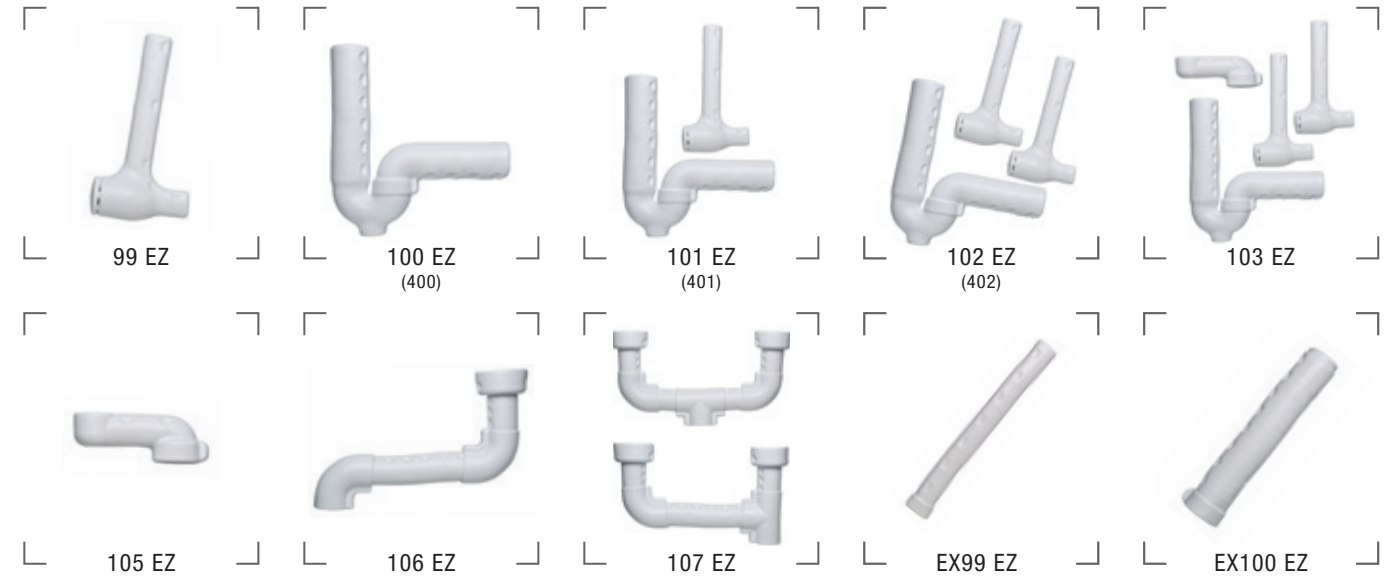


STEP 1
Tear-To-Fit on internal, dimensioned tear lines for quick, clean, accurate trimming to fit virtually any piping configuration. Covers flex to install over pipes.



STEP 2
Press seams together at finger recesses to engage internal fasteners for a secure, safe, tamper-resistant installation. To remove cover, firmly pull seam apart using a strong grip. To reinstall, press seams back together.

LAV GUARD[®] 2 UNDERSINK PIPING COVERS



MODELS AVAILABLE

PRODUCT	DESCRIPTION	MODEL	UNITS/CASE
100 Series - Fits all 1¼" or 1½" cast brass or tubular P-trap assemblies and ¾" or ½" angle stop assemblies			
82188	One angle valve and supply cover	99 E-Z	15
82190	One P-trap cover	100 E-Z	15
82192	One P-trap cover, one angle valve and supply cover	101 E-Z	15
82193	One P-trap cover, two angle valve and supply covers	102 E-Z	15
82194	One P-trap cover, two angle valve and supply covers, one 5" offset tailpiece wheelchair strainer cover	103 E-Z	15
400 Series - Fits all 1½" Schedule 40 Plastic P-traps			
82199	One P-Trap Cover	400	15
82200	One P-Trap Cover, One angle Valve and Supply Cover	401	15
82201*	One P-Trap Cover, Two angle Valve and Supply Cover	402	15
ACCESSORIES			
82195	One 5" offset tailpiece wheelchair strainer assembly	105 E-Z	15
82196	Kohler 6" offset	105K	15
82197	One basket strainer cover and offset waste cover (adjustable to 18")	106 E-Z	15
82198	Two basket strainer covers and center or end outlet waste cover (adjustable)	107 E-Z	15
EXTENSIONS			
82189	One 14" extension for water supply	EX99 E-Z	15
82191	One 14" extension for drain waste arm or tailpiece	EX100 E-Z	15

*105 EZ can be used in conjunction with the 400 series if a tailpiece is required.

Manufactured under one or more of the following U.S. or Canadian patents. Other patents pending.
7,032,615; 7,264,431; 8,196,612; 2,482,548



BASIN GUARD®

Overview

Basin Guard® is the latest design in undersink protection from Truebro. This smooth, attractive enclosure conceals unsightly piping and mechanical connections, and still maintains ADA mandated knee and foot clearance. Basin Guard can be installed under kitchen, classroom, and lavatory sinks where counter tops and sidewalls are present. Bottom opening allows for easy service access.

ADA-CONFORMING DESIGN AND PROTECTION

The Basin Guard's ADA-conforming design protects wheelchair users from scalding and sharp, abrasive surfaces. When installed, all plumbing and mechanical components are concealed.

EASY INSTALLATION

The Basin Guard may be used with virtually any ADA-compliant sink or restroom lavatory where countertops and sidewalls are present. Such sinks are commonly specified in H.U.D. housing, elderly housing, condominiums, hotels, motels, and schools with in-classroom sinks.

PROTECTIVE "FRONT SHIELD" DESIGN

Durable, heavy-duty enclosure conceals all continuous-waste piping, electronic faucet connections, dishwasher connections, garbage disposals, mixing valves, trap primers, and instantaneous hot water heaters.

RIGID HIGH-IMPACT, STAIN-RESISTANT PVC

The Basin Guard is molded from impact-resistant, stain-resistant, and chemical-resistant protective vinyl for durability, safety, and long life.

STRICT CODE COMPLIANCE MINIMIZES RISK

The Basin Guard complies with ASME A112.18.9-2001, ADA article 4.19.4 (606.5) California Plumbing Code 1504.2.1, ANSI A117.1, BOCA P 1203.4, and other state and local regulations. Basin Guard also has a flammability resistance, tested in accordance with Underwriters Laboratories for the UL 94 standard with a V-0 rating.

BASIN GUARD® UNDERSINK PROTECTIVE ENCLOSURES

SPECIFICATIONS

Material	Rigid high-impact, stain-resistant PVC
Nominal Wall	.093" constant
Finish	Fine haircell
UV Protection	Will not fade or discolor
Durability	Virtually indestructible
Fasteners	Eight (8) – #6 X1/2" screws
Color	White or beige
Paintability	Apply acrylic enamel or latex paint
Flammability	UL-94 V-0, 5VB

MODELS AVAILABLE

PRODUCT	DESCRIPTION	MODEL
82234	36", White	36W
82233	36", Beige	36B
82236	42", White	42W
82235	42", Beige	42B

The Basin Guard must be specified in combination with ADA-conforming sinks (example, Elkay GEGR or LRAD Line, or Just Manufacturing ADA Line with rear drain) with a maximum 6" deep bowl and rear waste outlet. Two sizes are available: Model #36 for maximum cabinet opening of 36" and Model #42 for a maximum cabinet opening of 42". Basin Guard may be trimmed smaller to fit actual opening size.

MADE IN THE USA

ADA COMPLIANT

CLEAN DESIGN AND DURABLE PROTECTION FOR ADA-COMPLIANT SINKS AND LAVATORIES INSTALLED INTO COUNTERTOPS

CROSS SECTION VIEW

CROSS SECTION DETAIL

SECTION A-A



IPSCORP.COM

Plumbing Division

500 Distribution Parkway
Collierville, Tennessee 38017
USA

plumbing@ipscorp.com

Tel (800) 888-8312

Fax (901) 853-5008