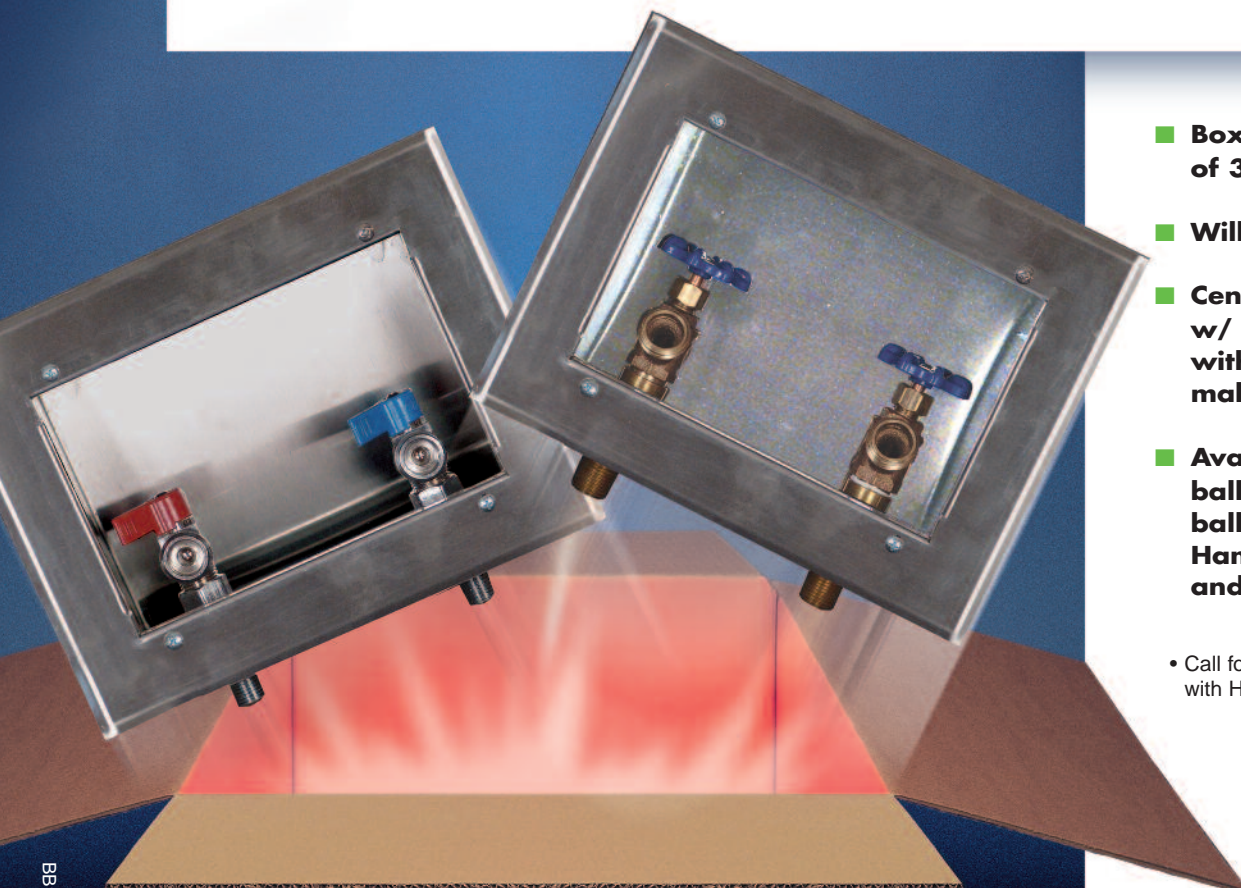


# STAINLESS STEEL WASHING MACHINE OUTLET BOX



Product Code	Model #	Product Description	UPC Bar Code	Cubic ft./ Case	Units/ Case	LBS/ Case
82170	SSWB1	Stainless Steel Center Drain Washer Box w/1/2" Qtr. Turn Sweat Valves	012181-821701	1.05	5	22
82171	SSWB2	Stainless Steel Center Drain Washer Box w/1/2" Domestic Sweat Valves	012181-821718	1.05	5	22



- **Box and Faceplate made of 304 Stainless Steel**
- **Will not rust or corrode**
- **Center Drain Outlet w/ 2" Slipnut to be used with 2" Pipe Nipple or male adapter**
- **Available w/ 1/4 turn ball valve, 1/4 turn ball valve with Hammer Arrester<sup>•</sup>, and Domestic valves.**

• Call for Availability of Boxes with Hammer Arresters.

**IPS**  
CORPORATION

500 Distribution Parkway, Collierville, TN 38017, USA  
TEL: 901-853-5001 ■ WATS: 800-888-8312 ■ FAX: 901-853-5008

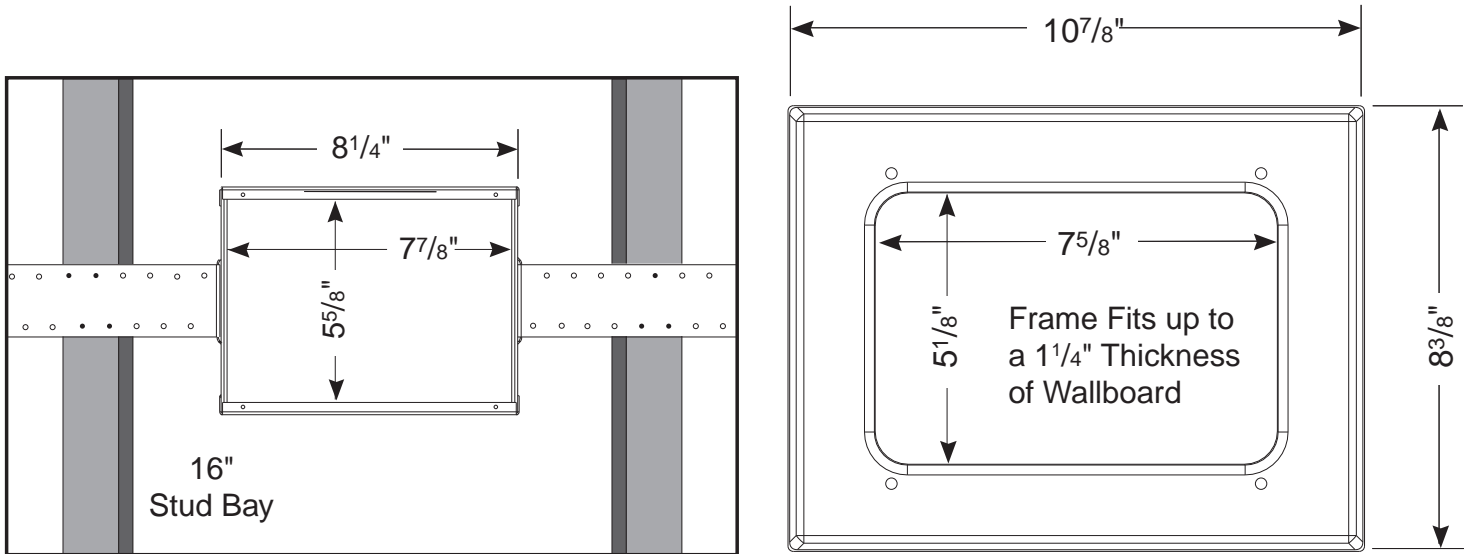
**IPS**<sup>®</sup>  
CORPORATION

Web Site: [www.ipscorp.com](http://www.ipscorp.com)

# SPECIFICATION SUBMITTAL SHEET



## Center Drain Stainless Steel Washing Machine Outlet Box



### SPECIFICATION

Furnish and install recessed stainless steel washing machine box with 2" center drain outlet and valve option listed below. Unit shall be **WATER • TITE** product code checked below as manufactured by IPS Corporation in Collierville, TN.

	PROD. CODE
	82170
	82171

DESCRIPTION	
Stainless Steel Center Drain Washing Machine Outlet Box w/ 1/2" Qtr. Turn Sweat Valves	Unassembled
Stainless Steel Center Drain Washing Machine Outlet Box w/ 1/2" Domestic Sweat Valves	Unassembled



[www.Ipscorp.com](http://www.Ipscorp.com)

500 Distribution Parkway, Collierville, TN 38017, USA ■ TEL: 901-853-5001 ■ WATS: 800-888-8312 ■ FAX: 901-853-5008