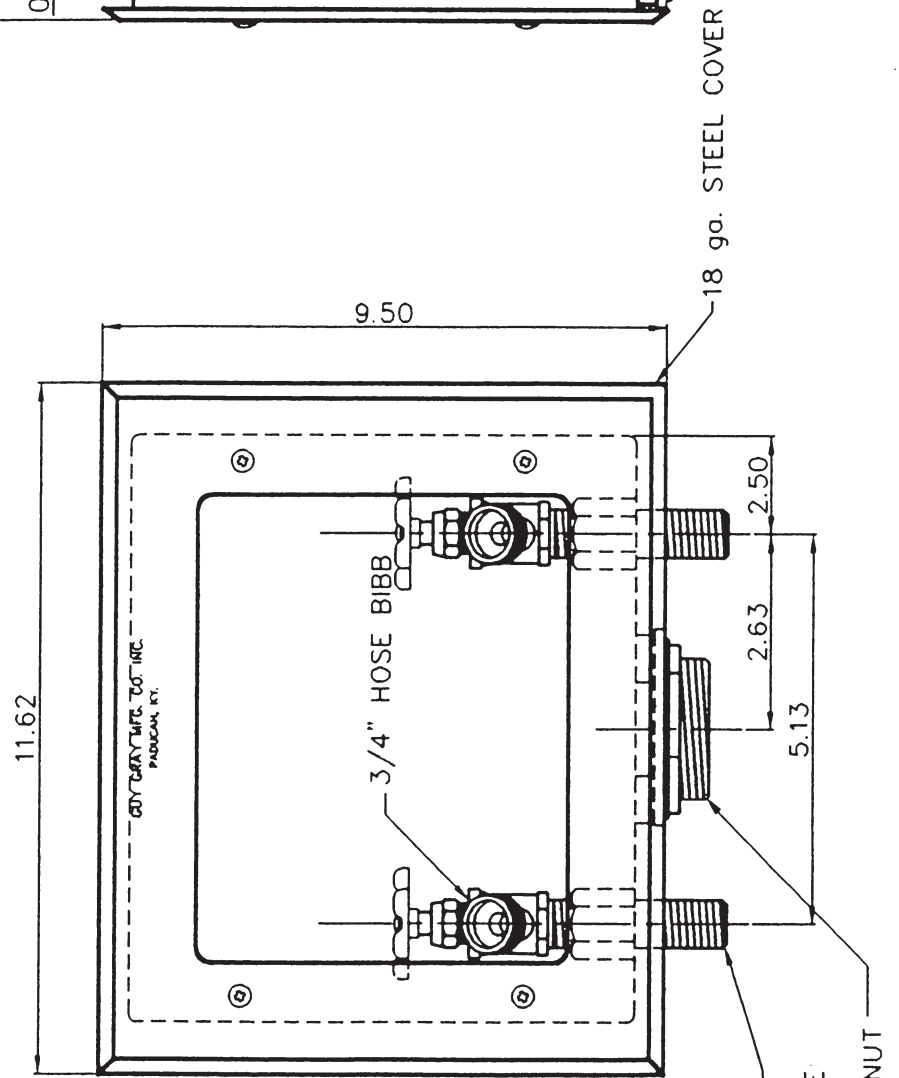
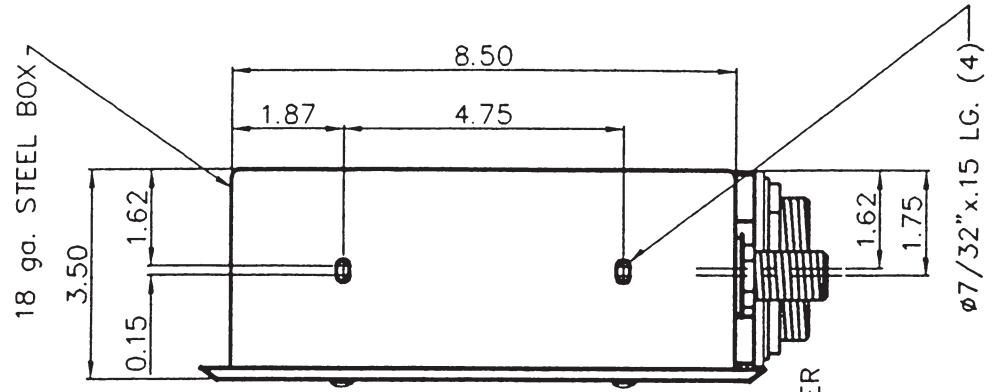
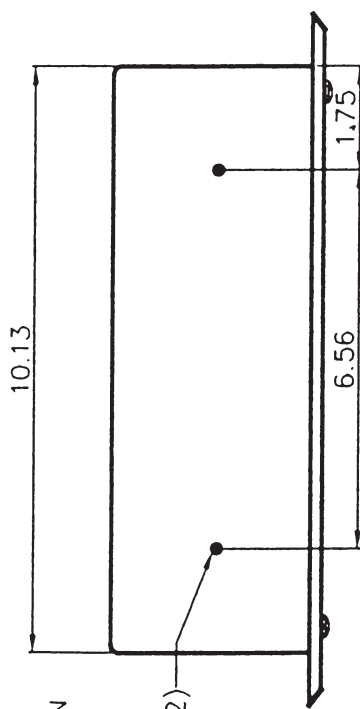


NOTE:
FITTINGS NOT SHOWN
FOR CLARITY
THIS VIEW



INLET 1/2" NPT or
5/8" OD. SWEAT
COMBO CONNECTION
2" CHASER NIPPLE
W/ 2" RUBBER
WASHER & LOCK NUT

GUY GRAY MFG. CO. INC.
MODEL NO. B200